

# FLOW SIGHT GLASS GAUGE

- FW-1** – SINGLE WINDOW
- FW-2** – DOUBLE WINDOW
- FW-3** – FLANGE TYPE FOR BIG SIZE

## Technical Data

**Service:** For gases and liquid  
**Wetted Parts Material:** Window- Tempered glass; Body- SS316;  
 Gasket- Teflon; Impeller- (1) ABS plastic, (2) PVDF, (3) PPS+40% glass fiber  
**Temperature Limit:** For impeller- (1) ABS plastic: 70°C (White),  
 (2) PVDF: 100°C (Red or White), (3) PPS+40% glass fiber: 200°C (Dark Brown)  
**Pressure Limit:** FW-1: 150 psig (10.34 bar)  
 FW-2: 125 psig (8.62 bar)  
 FW-3: Available for 15, 25 and 40 kg/cm<sup>2</sup> @25°C Water  
**Connection:** Threaded and Flange available  
**Size:** (FW-1 & FW-2): ¼", ⅜", ½", ¾", 1", 1¼", 1½", 2"  
 Thread NPT or PF female; and Flange type available  
 (FW-3): 2" to 8" Flange type only



**FW-1**  
(Single Window)

**FW-2**  
(Double Window)

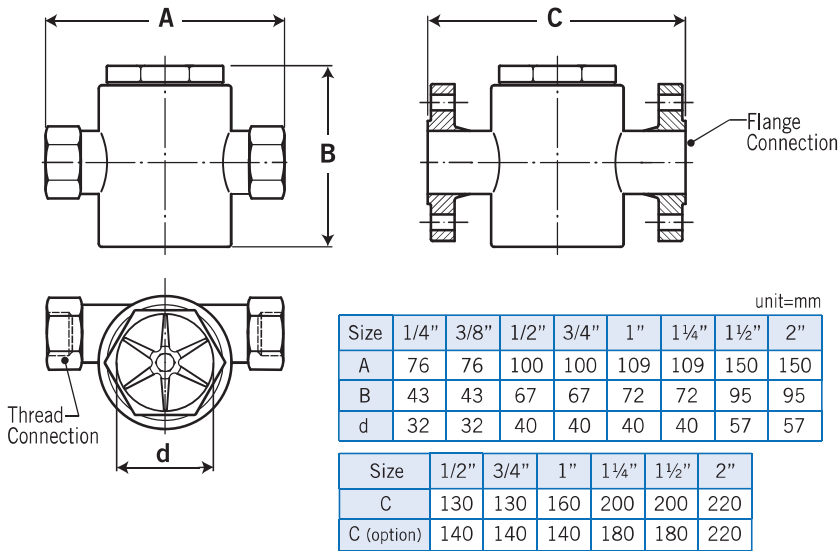
**Approvals:**



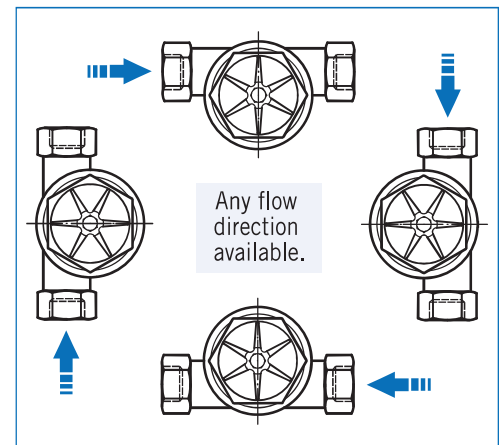
**FW-3**  
(Flange, Double Window)

## Dimension-mm

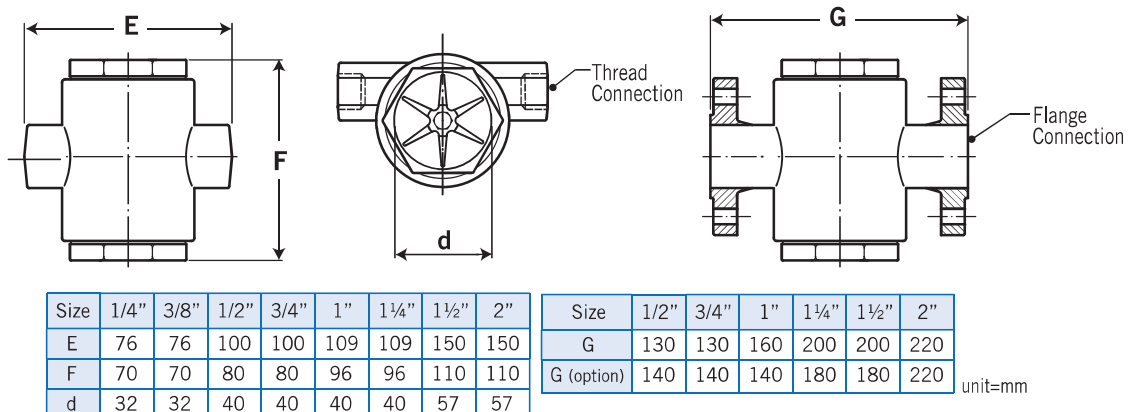
**FW-1**  
Single Window, Thread type & Flange type



## Flow Direction

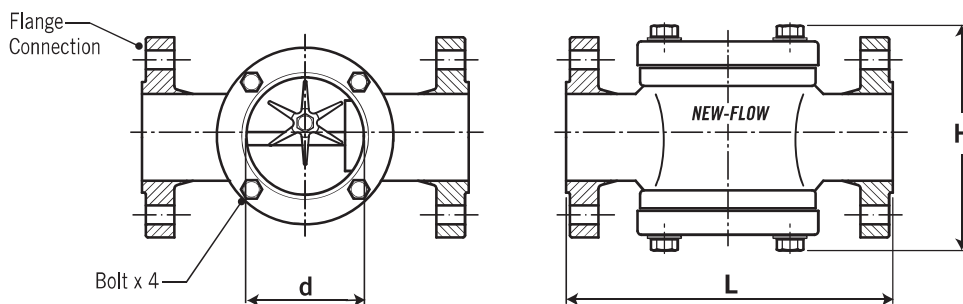


**FW-2**  
Double Window, Thread type & Flange type



**FW-3**

Double Window, Flange type for big size



unit=mm

Size	2"	2½"	3"	4"	5"	6"	8"
d	65	84	84	109	148	170	222
H	146.5	164	183.5	212.5	247	276	339
L	220	270	270	320	380	420	500
L (option)	220	260	260	310	---	---	---
L (300LB)	---	---	---	---	---	---	---

**Optional for Impeller**

 <b>ABS</b> Color: White Temp. Limit: 70°C	 <b>PPS+40% Glass Fiber</b> Color: Dark Brown Temp. Limit: 200°C	 <b>PVDF</b> Color: Red or White Temp. Limit: 100°C
---	---	--

**NOTE.** The temperature limit above-mentioned is only for the reference to the rotors. Please also considering the max. temperature of body in the operating.

**Ordering Information**

FW	Code	Model	Code	Connection Size	
	1	Single Window		(1) 1/4" (2) 3/8" (3) 1/2" (4) 3/4"	
	2	Double Windows		(5) 1" (6) 1¼" (7) 1½" (8) 2"	
	3	Double Windows, Flange type for big size		<i>(code 9~15 for FW-3 only)</i>	
	<b>Code Type</b>			(9) 2" (10) 2½" (11) 3" (12) 4"	
	T	Thread type		F	Flange type
	<b>Code Body Material</b>			<b>Code Connection Rating</b>	
	S	SS316		(1) NPT Female (2) PF Female	
	<b>Code Gasket Material</b>			(3) JIS 10K (4) ANSI 150#	
	T	Teflon		(5) option	
	<b>Code Indicator Type – Impeller (Color)</b>			<b>Code CE 1128 Mark Request</b>	
	A	ABS, plastic (White)			1 with label sticker
B	PVDF (White)	2 with S.S nameplate			
C	PVDF (Red)	3 stamp			
D	PPS+40% glass fiber (Dark Brown)	4 without			
FW			+		Complete Ordering Code

For a fast quote, fill out the ordering information details above and email them to [mail@sightflow.com.au](mailto:mail@sightflow.com.au) or call us on 1800 539220