

# MINI SIZE LEVEL GAUGE

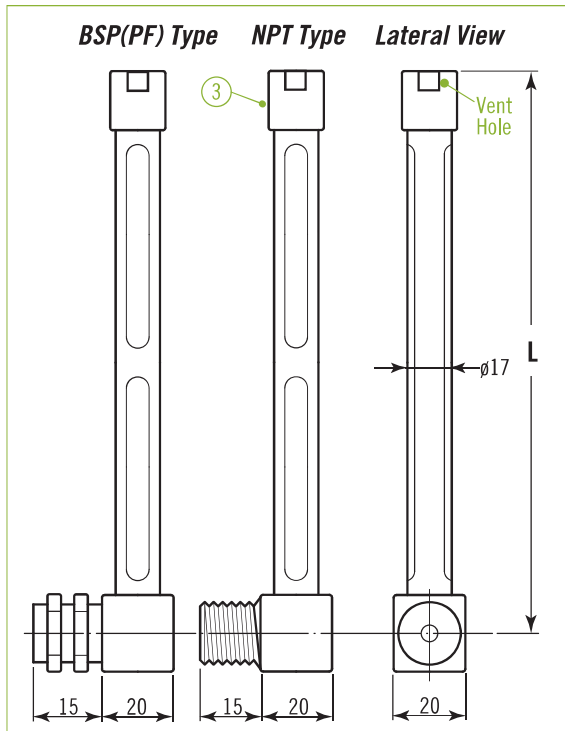
## MLG SERIES

### Technical Data

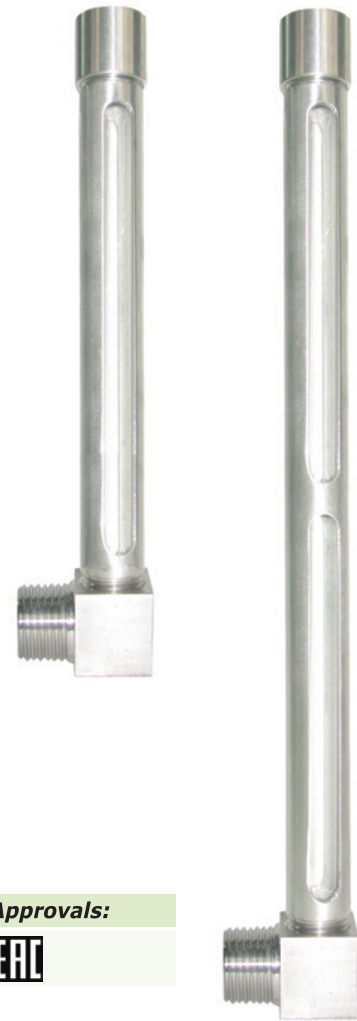
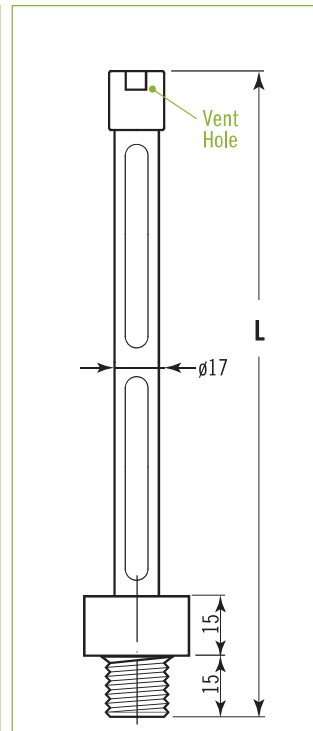
**Application:** for Oil tank, mini size tank  
**Material:** Stainless steel 316  
**Connection type:** NPT, BSP (PF) available  
**Connection size:** 1/4", 3/8", 1/2" available  
**Gauge length:** 80, 100, 125, 150, 200, 250, 300, 350mm; and option available  
**Mounting Type:** Wall mounting or mounting in the cover available

### Dimensions

#### (A) Wall Mounting Type



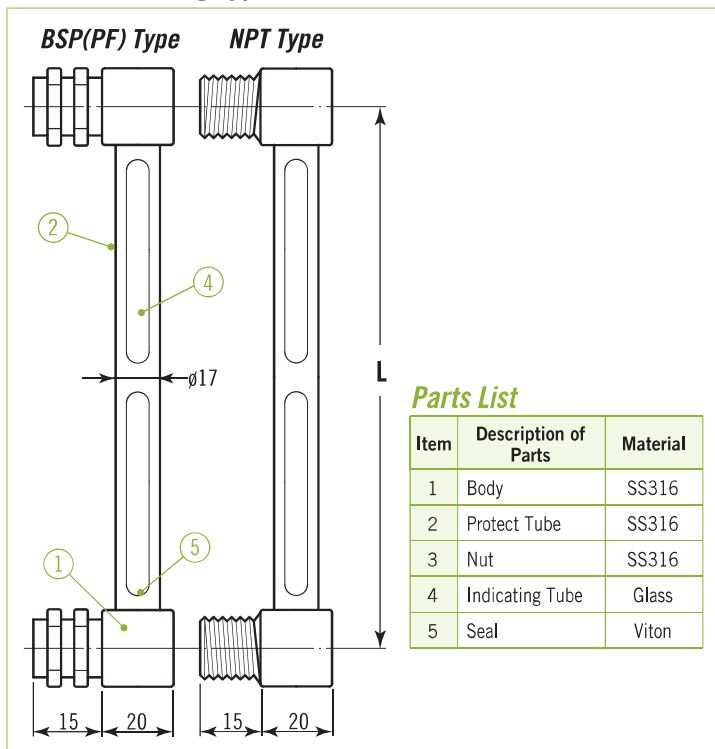
#### (B) Mounting in the Cover



**Approvals:**



#### (C) Wall Mounting Type: Both side connection



### Ordering Information

MLG	Code	Process Connection Size			
		(A) 1/4" BSP (B) 1/4" NPT (C) 3/8" BSP (D) 3/8" NPT			
		(E) 1/2" BSP (F) 1/2" NPT (G) option			
Code	Material				
	(3) SS316 (4) option				
Code	Gauge Length (L)				
	(A) 80 mm (B) 100 mm				
	(C) 125 mm (D) 150 mm				
	(E) 200 mm (F) 250 mm				
	(G) 300 mm (H) 350 mm				
	(O) Option				
Code	Mounting Type				
A	Wall mounting				
B	Mounting in the cover				
C	Wall mounting: Both side connection				
MLG					Complete Ordering Code