

FLOW SIGHT GLASS GAUGE NAC

NAC are used for mounting in small pipes for liquid fluids. The instruments are equipped with female threads at inlet and outlet and can be supplied with either brass fittings.

Technical Data

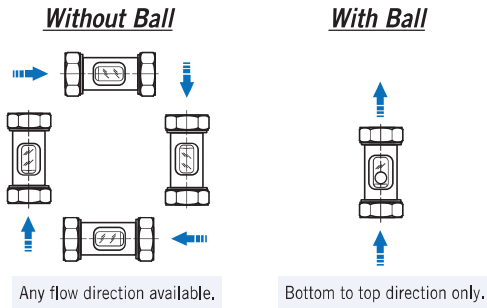
Material: Body: Brass and SS316 available; Tube Housing: Borosilicate Glass;
O-Ring: Viton; Thread Connection: Brass; Ball: PTFE; Spring: SS316

Max. Pressure: 10 Bar

Max. Temperature: 70°C

Connection Size: 1/4", 3/8", 1/2" thread G(BSP) or NPT available, and option on request

Flow Direction



Approvals:

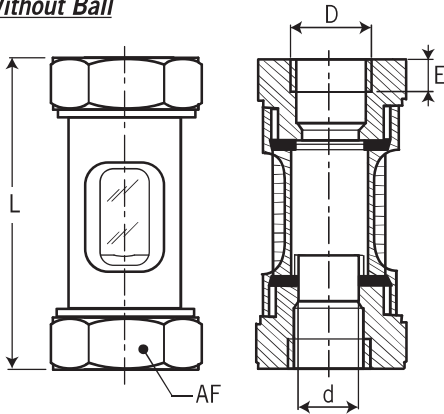


Without Ball

With Ball

Dimensions

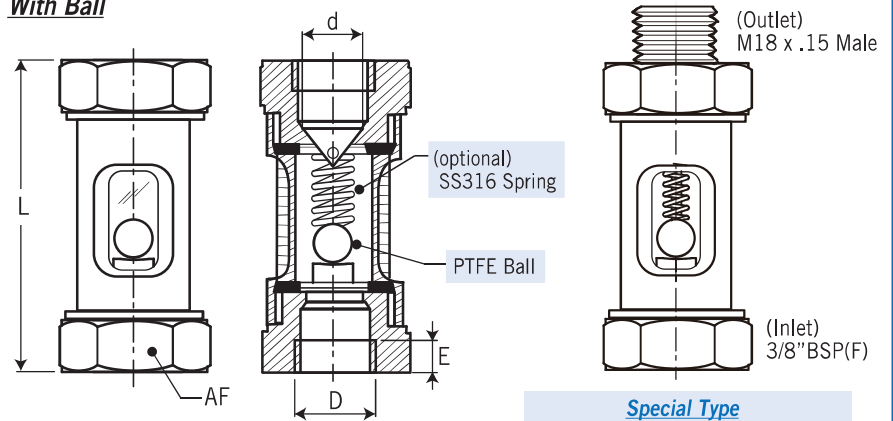
Without Ball



unit=mm

| Size | L | AF | D | d | E | Weight (approx. kg) |
|------|----|----|------|----|------|---------------------|
| 1/4" | 70 | 19 | 1/4" | 5 | 12 | 0.085 |
| 3/8" | 70 | 27 | 3/8" | 8 | 12 | 0.17 |
| 1/2" | 80 | 32 | 1/2" | 12 | 15.5 | 0.28 |

With Ball



unit=mm

| Size | L | AF | D | d | E | Weight (approx. kg) |
|------|----|----|------|---|------|---------------------|
| 3/8" | 80 | 32 | 3/8" | 8 | 12 | 0.31 |
| 1/2" | 80 | 32 | 1/2" | 8 | 15.5 | 0.31 |

Special Type

This special type is on request. Please consult with the manufacturer for this special type.

Ordering Information

| NAC | Code | Connection Size | | | | | | |
|-----|------|-----------------|-----------------------------|------|------------------|------|---------|------------------------|
| | 1 | 1/4" | 2 | 3/8" | 3 | 1/2" | 0 | Option |
| | | Code | Connection Rating | | | | | |
| | | 1 | NPT (female) | 2 | G (BSP) (female) | 3 | Option | |
| | | Code | O-Ring Material | | | | | |
| | | V | Viton | | | | | |
| | | Code | Ball & Spring | | | | | |
| | | D | Ball only | Ds | Both with | N | Without | |
| | | Code | CE 1128 Mark Request | | | | | |
| | | 1 | With label sticker | | | 3 | Stamp | |
| | | 2 | With S.S nameplate | | | 4 | Without | |
| | | Code | Body Material | | | | | |
| | | B | Brass | S | SS316 | 0 | Option | |
| NAC | | | | | | | | Complete Ordering Code |