

VACUUM SWITCH NEMA 4, 4X, IP66

PS1000W

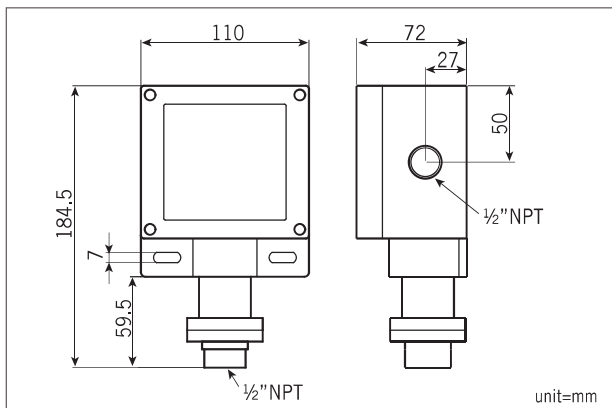
Proof Pressure to 1000psi
Adjustable Range: -25 ~ -760 mmHg
Temperature: -5°C ~ +150°C

The New-Flow PS1000W, a water proof vacuum switch, is designed to be used in control systems. PS1000W has high set point repeatability and narrow dead band features. Easily adjusted to the set point, and no special tools needed!

Technical data

Switch Data: one SPDT & two SPDT Microswitch, 15amps 125/250VAC, DC 125V 0.4A, DC 30V 3A / Gold Contact Microswitch 1A 125/250VAC
Housing: die cast aluminum alloy with paint
Conduit Connection: Female 3/4", 1/2"NPT, M20 x P1.5 available
Pressure Element: Diaphragm
Process Material: Wetted parts- SS316; O-ring- Viton
Process Connection: Female 1/2" or 1/4" NPT, BSP, PT; and M20 x P1.5 thread available
Repeatability: ±1% of full scale

Dimensions



Patent No.

M295332
M334932
China: 920135

Approvals:



Range Table

Code	Adjustable Range	Dead Band	Maximum Pressure Proof
1R	-25 ~ -760 mmHg	10~20 mmHg	1000 psi

Ordering Information

PS1000W	Code	Range	Code	Wetted Parts Material	Code	Process Connection	Code	Conduit Connection	Code	Switch Form
	1R	-25 ~ -760 mmHg	A	SS316	(1) 1/2"NPT (2) 1/4"NPT (3) 1/2"BSP (4) 1/4"BSP (5) 1/2"PT (6) 1/4"PT (7) M20 x P1.5	(E) 3/4"NPT Female (F) 1/2"NPT Female, standard (G) M20 x P1.5 Female	1	Micro Switch, 1 SPDT		
							2	Micro Switch, 2 SPDT (one setting point)		
							3a	Gold Contact, 1 SPDT		
							3b	Gold Contact, 2 SPDT (one setting point)		
PS1000W										Complete Ordering Code