

PRESSURE SWITCH EXPLOSION PROOF TYPE

PS2100X

Explosion Proof Type
Protection: IP68
Proof Pressure to 1000psi
Adjustable Ranges: 2~100psi
Temperature: -30 to 205°C

The New-Flow PS2100X, an explosion proof pressure switch, is designed to be used in control systems. PS2100X has high set point repeatability and narrow dead band features. A variety of range selections are available upon request. Easily adjusted to the set point, and no special tools needed!

Technical Data

Switch Data: one SPDT & two SPDT Microswitch, 15amps 125/250VAC, DC 125V 0.4A, DC 30V 3A, / Gold Contact Microswitch 1A 125/250VAC, / Hermetically Sealed Switch 5A/250VAC

Housing: die cast aluminum alloy with paint, and SS316 available

Conduit Connection: Female 3/4", 1/2"NPT, M20 x P1.5 available

Pressure Element: welded type diaphragm

Process Material: wetted parts are all in SS316

Process Connection: Female 1/2" or 1/4" NPT, BSP, PT; and M20xP1.5 thread available

Repeatability: ±1% of full scale

Range Selection Table

Code	Adjustable Range	Dead Band	Maximum Pressure Proof
04R	2~12 psi	0.2~0.4	1000 psi
10R	2~16 psi	0.2~0.5	1000 psi
20R	2~20 psi	0.3~0.6	1000 psi
30R	3~28 psi	0.3~0.8	1000 psi
40R	7~100 psi	0.7~2.0	1000 psi

Approvals:



TD0400TJ
工電(2012)第00320號
(ITR1)2017第07-00075號



Switches with UL & CSA Recognized and File No. E12252.

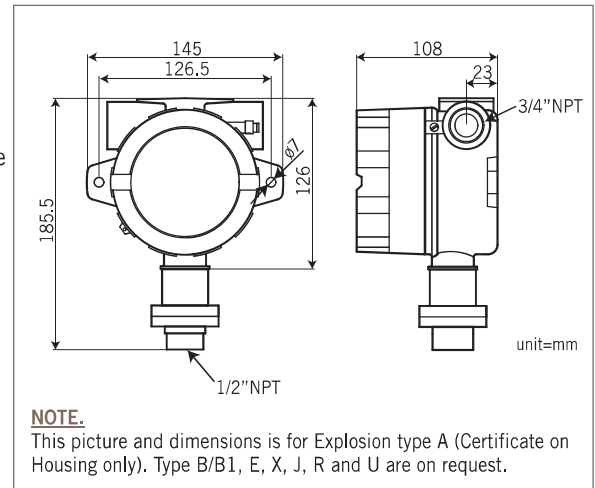
JAPAN EX-Certificate
CML 17JPN1016X
CML 17JPN3024

Patent No.

M295332
M334932
China: 920135



Dimension



Ordering Information

PS2100X	Code	Range
		(04R) 2~12 psi (10R) 2~16 psi (20R) 2~20 psi (30R) 3~28 psi (40R) 7~100 psi
	Code	Wetted Parts Material
	A	SS316
	Code	Process Connection- Female
		(1) 1/2"NPT (2) 1/4"NPT (3) 1/2"BSP (4) 1/4"BSP (5) 1/2"PT (6) 1/4"PT (7) M20 x P1.5
	Code	Conduit Connection
		(E) 3/4"NPT Female, standard (F) 1/2"NPT Female (G) M20 x P1.5 Female
	Code	Switch Form
	1	Micro Switch, 1 SPDT
	2	Micro Switch, 2 SPDT (one setting point)
	3a	Gold Contact, 1 SPDT
	3b	Gold Contact, 2 SPDT (one setting point)
	4a	Hermetically Switch, 1 SPDT
	4b	Hermetically Switch, 2 SPDT (one setting point)
	Code	Explosion Proof Type / Housing Material
	A	Certificate on Housing Only (FM Approval) / Aluminum alloy: Class I, Groups A, B, C & D; Class II, Groups E, F & G; Class III; NEMA 4X
	B / B1	Taiwan Explosion Proof Certification / (B) Aluminum alloy (B1) SS316: Ex d IIB + H2 T6 Gb
	E	International IECEx Certification / Aluminum alloy: Ex db IIB + H2 T6 Gb; Ex tb IIIC T85°C Db
	X	Europe Union ATEX Certification / Aluminum alloy: II 2 G D Ex db IIB + H2 T6 Gb; II 2 G D Ex tb IIIC T85°C Db
	J	Japan Explosion Proof Certification / Aluminum alloy: Ex d IIB + H2 T6 Gb; Ex t IIIC T85°C Db
	R	Russia EACEx Certification / Aluminum alloy: 1Ex d IIB + H2 T6 Gb X; Ex tb IIIC T85°C Db
	U	UL Certification / Aluminum alloy: Class I, Groups A, B, C & D; Class II, Groups E, F & G
PS2100X		

Complete Ordering Code