

# PRESSURE SWITCH NEMA 4, 4X, IP66

## PS2200W

**Proof Pressure to 500psi**  
**Adjustable Ranges: 0.05~9.8psi**  
**Temperature: -30 to 205°C**

The New-Flow PS2200W, a water proof pressure switch, is designed to be used in control systems. PS2200W has high set point repeatability and narrow dead band features. There is a variety of range selections available upon request. Easily adjusted to the set point, no special tools needed!

### Technical Data

**Switch Data:** one SPDT & two SPDT Microswitch, 15amps 125/250VAC, DC 125V 0.4A, DC 30V 3A / Gold Contact Microswitch 1A 125/250VAC  
**Housing:** die cast aluminum alloy with paint  
**Conduit Connection:** Female 3/4", 1/2" NPT, M20 x P1.5 available  
**Pressure Element:** welded type diaphragm  
**Process Material:** wetted parts are all in SS316  
**Process Connection:** Male 1/2" or 1/4" NPT, BSP, PT; and M20xP1.5 thread available  
**Repeatability:** ±1% of full scale



### Patent No.

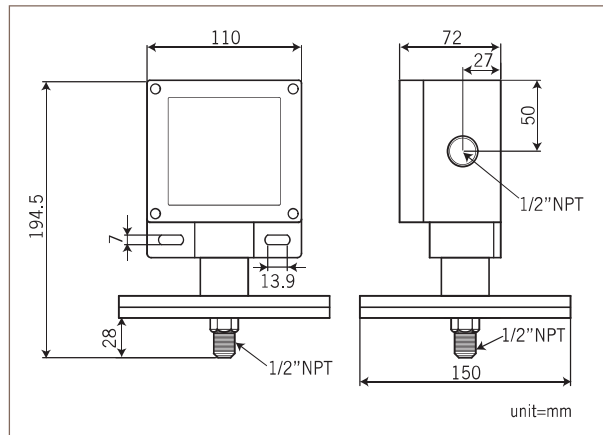
M295332  
M334932  
China: 920135

### Approvals:



**UL** Switches with UL & CSA Recognized and File No. E12252.

### Dimensions



### Range Selection Table

Code	Adjustable Range	Dead Band	Maximum Pressure Proof
04R	0.05~1.8 psi	0.015~0.3	500 psi
10R	0.4~2.8 psi	0.2~0.5	500 psi
20R	0.4~5.0 psi	0.3~0.6	500 psi
30R	1.6~9.8 psi	0.3~0.8	500 psi

### Ordering Information

PS2200W	Code	Range							
		04R	0.05~1.8 psi	10R	0.4~2.8 psi	20R	0.4~5.0 psi	30R	1.6~9.8 psi
	Code	Wetted Parts Material							
	A	SS316							
	Code	Process Connection- Male							
		(1) 1/2" NPT (2) 1/4" NPT (3) 1/2" BSP (4) 1/4" BSP (5) 1/2" PT (6) 1/4" PT (7) M20 x P1.5							
	Code	Conduit Connection							
		(E) 3/4" NPT Female (F) 1/2" NPT Female, standard (G) M20 x P1.5 Female							
	Code	Switch Form							
	1	Micro Switch, 1 SPDT							
	2	Micro Switch, 2 SPDT (one setting point)							
	3a	Gold Contact, 1 SPDT							
	3b	Gold Contact, 2 SPDT (one setting point)							
PS2200W									Complete Ordering Code