

# PRESSURE SWITCH FOR LIQUID LEVEL CONTROLLER EXPLOSION PROOF

## PSA2200X

The New-Flow PSA2200X, an explosion proof pressure switch for liquid level controller, is designed to be used in level systems. PSA2200X has high set point repeatability and adjustable dead band features. Easily adjusted to the set point, no special tools needed!



**Approvals:**



TD0400TJ  
工電(2012)第00320號  
(ITRI)2017第07-00075號



**JAPAN EX-Certificate**  
CML 17JPN1016X  
CML 17JPN3024

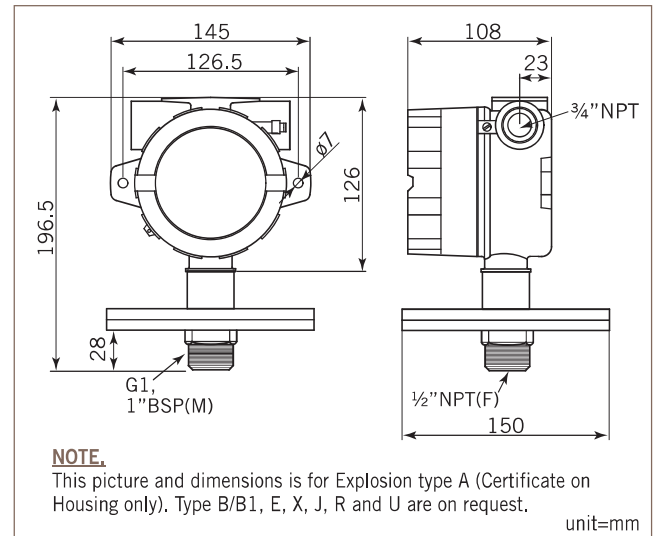
**Patent No.**

M295332  
M334932  
China: 920135

**Technical Data**

- Switch Data:** one SPDT microswitch, 20Amps 125/250V; 5Amps DC125V
- Housing:** die cast aluminum alloy with paint, and SS316 available
- Housing Enclosure:** Explosion Proof Type; IP68 (not UL certified)
- Conduit Connection:** Female 3/4", 1/2" NPT, M20 x P1.5 available
- Pressure Element:** Diaphragm type
- Proof Pressure:** 500 psi
- Temperature:** -30 to 205°C
- Process Materials:** wetted parts are all in SS316
- Process Connection:** Male G1 (1" BSP); and Female 1/2" or 1/4" NPT, BSP, PT, and M20xP1.5 thread available (Detected pipe size 1/2", Length 0.2~5 meters)
- Control Functions:** Please refer to the "Level Length Table".  
Select type: Nob A, B, C, E, F are available for setting level length  
Fix type: Section G, H, I are available for setting level length

**Dimensions**



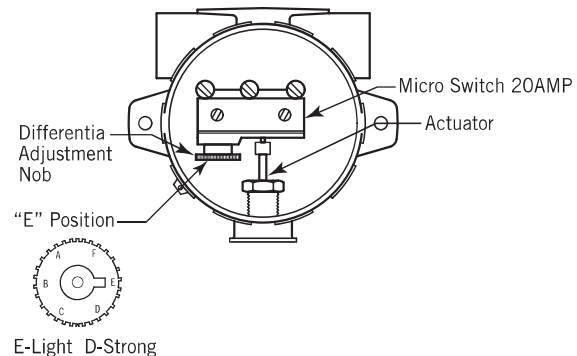
**Control Functions**

**Level Length Table For Actuate & Deactuate**

**(A). Select Type**

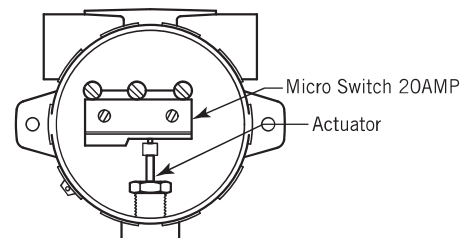
Set On Micro Switch Nob	The Length of Set Point to Actuate, Deactuate (mm)		
	Code	Actuate (ON)	
E	150	50	±5
F	200	50	±5
A	380	50	±5
B	550	50	±5
C	760	60	±5

NOTE.: Nob "D" is unavailable for using.

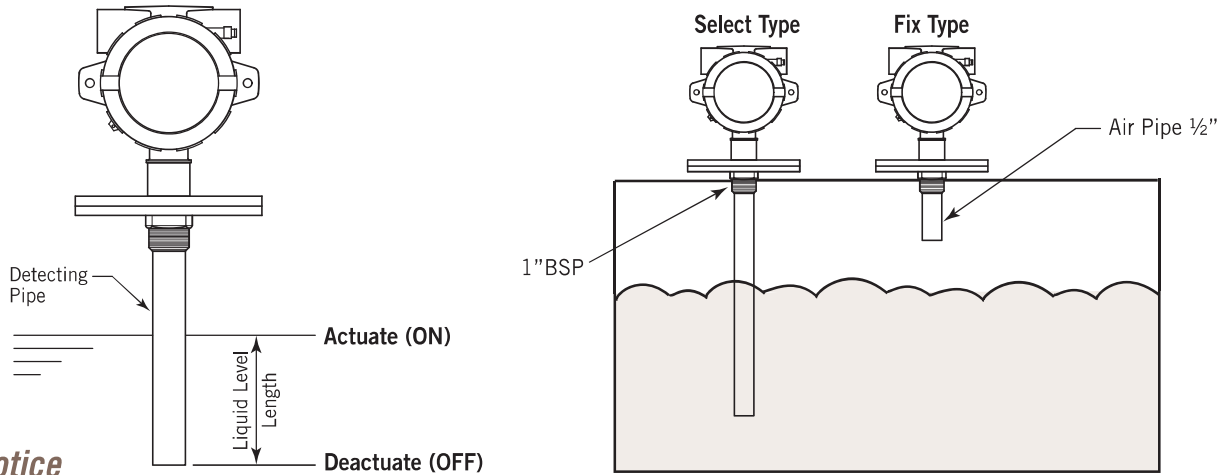


**(B). Fix Type**

Set Section	The Length of Set Point to Actuate, Deactuate (mm)		
	Code	Actuate (ON)	
G	60	40	±5
H	80	50	±5
I	130	80	±5

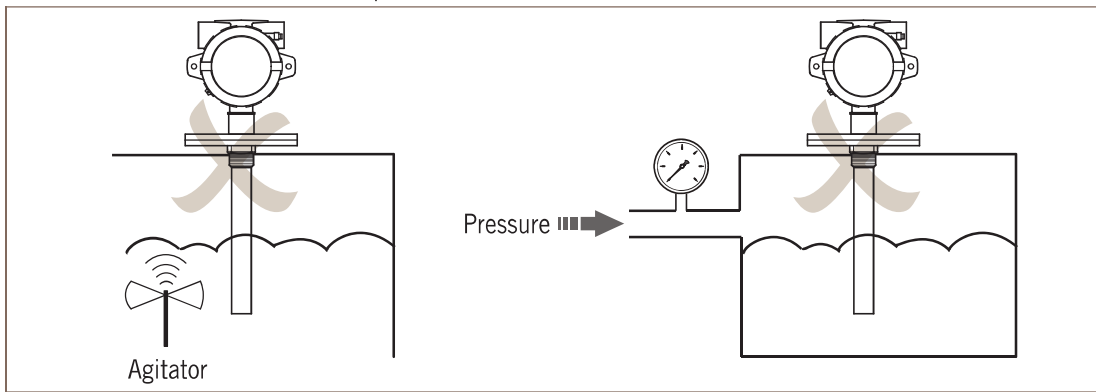


### Mounting Method



### Notice

1. Do Not locate closed by agitator or liquid inlet/outlet. The operation will be unstable.
2. Do Not install this switch on the pressurized tank.



### Ordering Information

PSA2200X	Code	Control Function	
	A	Select Type	B Fix Type
	Code	Level Length	
		Please refer to the Level Length Table, and directly fill in request range code. (e.g. H)	
	Code	Wetted Parts Material	
	A	SS316	
	Code	Process Connection	
		(1) male G1 (1" BSP) (2) 1/2" NPT(F) (3) 1/4" NPT(F) (4) 1/2" BSP(F) (5) 1/4" BSP(F) (6) 1/2" PT(F) (7) 1/4" PT(F) (8) M20 x P1.5(F)	
	Code	Conduit Connection	
		(E) 3/4" NPT Female (F) 1/2" NPT Female, standard (G) M20 x P1.5 Female	
	Code	Switch Form	
	1	One SPDT	
	Code	Explosion Proof Type / Housing Material	
	A	Certificate on Housing Only (FM Approval) / Aluminum alloy: Class I, Groups A, B, C & D; Class II, Groups E, F & G; Class III; NEMA 4X	
	B / B1	Taiwan Explosion Proof Certification/(B) Aluminum alloy (B1) SS316: Ex d IIB + H2 T6 Gb	
	E	International IECEx Certification / Aluminum alloy: Ex db IIB + H2 T6 Gb; Ex tb IIIC T85°C Db	
	X	Europe Union ATEX Certification / Aluminum alloy: II 2 G D Ex db IIB + H2 T6 Gb; II 2 G D Ex tb IIIC T85°C Db	
	J	Japan Explosion Proof Certification / Aluminum alloy: Ex d IIB + H2 T6 Gb; Ex t IIIC T85°C Db	
	R	Russia EACEx Certification / Aluminum alloy: 1Ex d IIB + H2 T6 Gb X; Ex tb IIIC T85°C Db	
	U	UL Certification / Aluminum alloy: Class I, Groups A, B, C & D; Class II, Groups E, F & G	
PSA2200X			Complete Ordering Code