

# DIFFERENTIAL PRESSURE GAUGE

## DPG5000

**Combine With Switch or 4~20mA Output Signal Available**  
**Weather Proof, Diaphragm Type**  
**Range Available: 0-0.5-7 kg/cm<sup>2</sup> (0-7-100 PSI)**

DPG5000 series consist of high and low pressure ports. Spring and diaphragm as well as magnet couple with pointer. Differential pressure indicated on dial due to ΔP pressure of high side and low side be made from magnet couple with pointer. It could combine with micro switch for using in controller system.

### Technical Data

- Dial Size:** ø4"
- Accuracy:** ±2% F.S (on rising pressure)
- Switch Data:** One SPDT micro switch or Two SPDT micro switches, 5A/125VAC, 5A/250VAC, 2A/30VDC; Dead Band ±12%
- Output Signal:** 4~20mA, 2 wires, DC24V power supply
- Housing:** Die cast aluminum alloy with paint and SS316 available
- Housing Protection:** IP66
- Electronic Connection:** Standard ½"NPT female; ¾"NPT female available
- Pressure Element:** Diaphragm- Viton; other parts all in SS316
- Process Connection:** ½" or ¼"NPT female available
- Working Pressure:** 200 kg/cm<sup>2</sup>  
(Both of High & Low side must be pressured on line at the same time.)
- Working Temperature:** max. 80°C

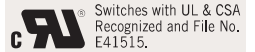


### Approvals:



### Patent No.

M449263  
China: ZL 2012 2 0666839.5

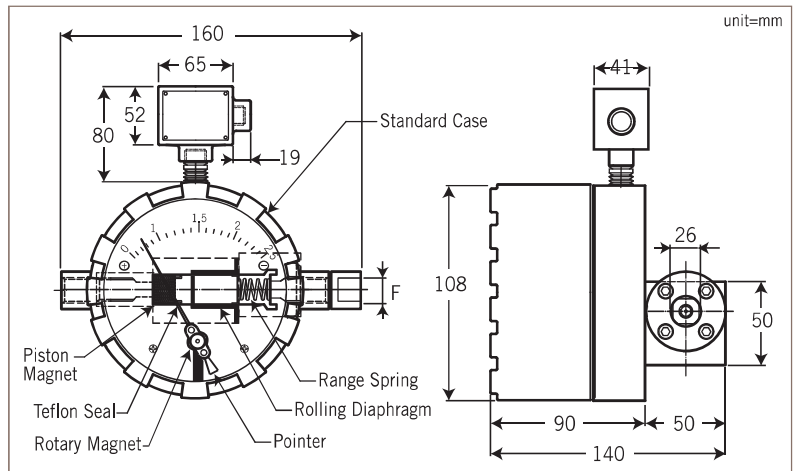


### Range Selection Table

Code	Range		Maximum D/P Pressure Proof
07R	0~7 psi	0~0.5 kg/cm <sup>2</sup>	8 psi
09R	0~9 psi	0~0.6 kg/cm <sup>2</sup>	10 psi
12R	0~12 psi	0~0.8 kg/cm <sup>2</sup>	13 psi
17R	0~17 psi	0~1.2 kg/cm <sup>2</sup>	19 psi
30R	0~30 psi	0~2 kg/cm <sup>2</sup>	33 psi
40R	0~40 psi	0~2.5 kg/cm <sup>2</sup>	44 psi
60R	0~60 psi	0~4 kg/cm <sup>2</sup>	66 psi
100R	0~100 psi	0~7 kg/cm <sup>2</sup>	110 psi

**NOTE.:** If you need Flow Scale, please contact with factory.

### Dimensions



### Ordering Information

DPG5000	<b>Code</b>	<b>Dial Size</b>						
	A	ø4"						
	<b>Code</b>	<b>Range</b>						
	07R	0~7 psi	09R	0~9 psi	12R	0~12 psi	17R	0~17 psi
	30R	0~30 psi	40R	0~40 psi	60R	0~60 psi	100R	0~100 psi
	<b>Code</b>	<b>Wetted Parts Material</b>						
	A	SS316						
	<b>Code</b>	<b>Housing Material</b>						
	1	Aluminum alloy with paint			2	SS316		
	<b>Code</b>	<b>Process Connection</b>						
	(1) ½"NPT Female (2) ¼"NPT Female							
<b>Code</b>	<b>Electronic Connection</b>							
	(E) ¾"NPT Female (F) ½"NPT Female, standard							
<b>Code</b>	<b>Control Form</b>							
1	One SPDT	2	Two SPDT	3	4~20 mA			
<b>Complete Ordering Code</b>								