

DIFFERENTIAL PRESSURE GAUGE DPH300

Weather Proof, Diaphragm Type

Range Available: 0 - 0.05 - 0.2kg/cm² (0 - 500 - 2000mmH₂O)

DPH300 series consist of high and low pressure ports. Spring and diaphragm as well as magnet couple with pointer. Differential pressure indicated on dial due to ΔP pressure of high side and low side be made from magnet couple with pointer.

Technical Data

Dial Size: ø4", ø6" available

Housing Material: 316 stainless steel

Housing Protection: IP66

Accuracy: ±2% F.S (on rising pressure)

Pressure Element: Diaphragm- Viton; other parts all in SS316

Process Connection: ½" or ¼"NPT female

Working Pressure: 100 kg/cm²

(Both of High & Low side must be pressured on line at the same time.)

Working Temperature: max. 80°C



Approvals:

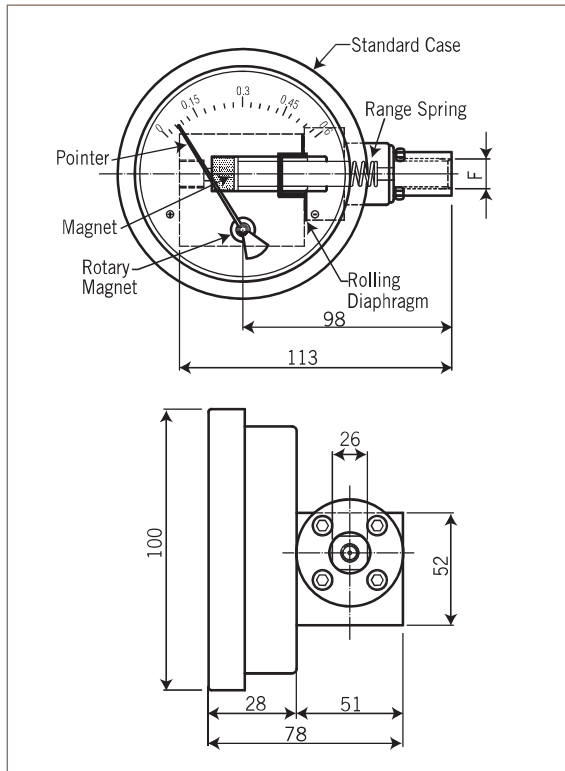


Switches with UL & CSA
Recognized and File No.
E41515.

Patent No.

M449263
China: ZL 2012 2 0666839.5

Dimensions-mm



Range Selection Table

Code	Range		Maximum D/P Pressure Proof
01R	0.7 psi	0~0.050 kg/cm ²	5 psi
02R	1.1 psi	0~0.075 kg/cm ²	5 psi
03R	1.5 psi	0~0.10 kg/cm ²	5 psi
04R	2.3 psi	0~0.16 kg/cm ²	5 psi
05R	3.0 psi	0~0.20 kg/cm ²	5 psi

NOTE.

If you need Flow Scale, please contact with factory.

Ordering Information

DPH300	Code	Dial Size		
	A	ø4"	B	ø6"
		Code	Range	
		01R	0~0.05 kg/cm ²	
		02R	0~0.075 kg/cm ²	
		03R	0~0.1 kg/cm ²	
		04R	0~0.16 kg/cm ²	
		05R	0~0.2 kg/cm ²	
		Code	Wetted Parts Material	
		A	SS316	
		Code	Process Connection	
			(1) ½"NPT Female (2) ¼"NPT Female	
DPH300				Complete Ordering Code