

# DIFFERENTIAL PRESSURE GAUGE DPH400

**Weather Proof, Diaphragm Type**

**Range Available: 0 - 0.005 - 0.06 kg/cm<sup>2</sup> (0 - 50 - 600 mmH<sub>2</sub>O)**

DPH400 series consist of high and low pressure ports. Spring and diaphragm as well as magnet couple with pointer. Differential pressure indicated on dial due to ΔP pressure of high side and low side be made from magnet couple with pointer.

## Technical Data

- Dial Size:** ø4", ø6" available
- Accuracy:** ±2% F.S (on rising pressure)
- Housing Material:** 316 stainless steel
- Housing Protection:** IP66
- Pressure Element:** Diaphragm-NBR; other parts all in SS316
- Process Connection:** ¼" NPT female; and Large connection with adaptor available
- Working Pressure:** 30 kg/cm<sup>2</sup>
- (Both of High & Low side must be pressured on line at the same time.)
- Working Temperature:** max. 80°C



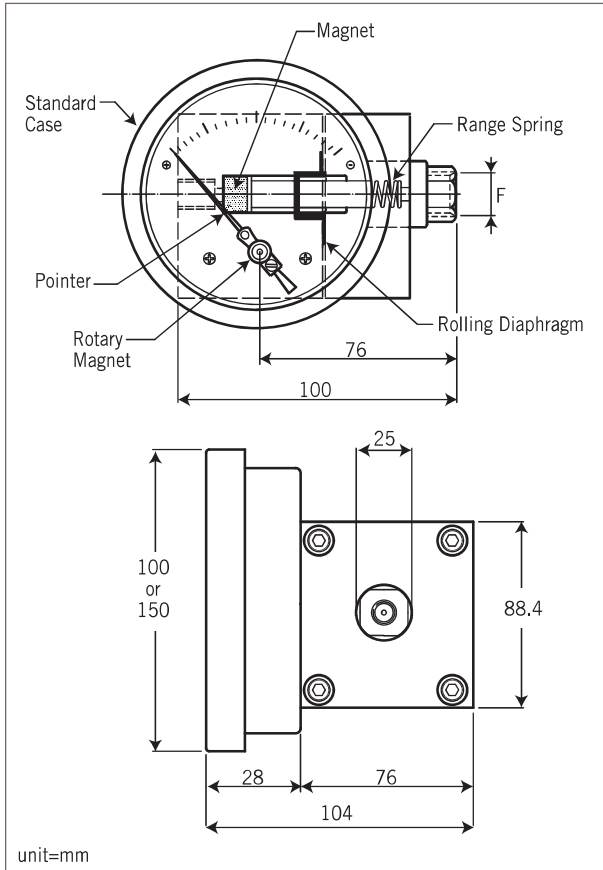
### Approvals:



### Patent No.

M449263  
China: ZL 2012 2 0666839.5

## Dimensions



## Range Selection Table

Code	Range		Maximum D/P Pressure Proof
	mmH <sub>2</sub> O	Kg/cm <sup>2</sup>	
01R	0~10~50	0~0.005	5
02R	0~25~100	0~0.01	5
03R	0~40~200	0~0.02	5
04R	0~60~300	0~0.03	5
05R	0~80~400	0~0.04	5
06R	0~120~600	0~0.06	5

### NOTE:

If you need Flow Scale, please contact with factory.

## Ordering Information

DPH400	Code	Dial Size		
	A	ø4" (ø100mm)	B	ø6" (ø150mm)
		<b>Code</b>	<b>Range</b>	
		01R	0~0.005 kg/cm <sup>2</sup> (0~10~50mmH <sub>2</sub> O)	
		02R	0~0.01 kg/cm <sup>2</sup> (0~25~100mmH <sub>2</sub> O)	
		03R	0~0.02 kg/cm <sup>2</sup> (0~40~200mmH <sub>2</sub> O)	
		04R	0~0.03 kg/cm <sup>2</sup> (0~60~300mmH <sub>2</sub> O)	
		05R	0~0.04 kg/cm <sup>2</sup> (0~80~400mmH <sub>2</sub> O)	
		06R	0~0.06 kg/cm <sup>2</sup> (0~120~600mmH <sub>2</sub> O)	
		<b>Code</b>	<b>Wetted Parts Material</b>	
		A	SS316	
		<b>Code</b>	<b>Process Connection</b>	
		(1)	¼" NPT female	
		(2)	option, with adaptor	
DPH400				<b>Complete Ordering Code</b>