

DIFFERENTIAL PRESSURE SWITCH EXPLOSION PROOF TYPE

DPS2200X

Explosion Proof Type
Protection: IP68
Proof Pressure to 750psi
Adjustable Ranges: 400~10000 mmH₂O
Temperature: -30 to 205°C

The New-Flow DPS2200X, an explosion proof differential pressure switch, is designed to be used in control systems. DPS2200X has high set point repeatability and narrow dead band features. A variety of range selections are available upon request. Easily adjusted to the set point, no special tools needed!

Technical Data

Switch Data: one SPDT & two SPDT Microswitch, 15amps 125/250VAC, DC 125V 0.4A, DC 30V 3A, / Gold Contact Microswitch 1A 125/250VAC, / Hermetically Sealed Switch 5A/250VAC

Housing: die cast aluminum alloy with paint, and SS316 available

Conduit Connection: Female 3/4", 1/2" NPT, M20 x P1.5 available

Pressure Element: welded type diaphragm

Process Materials: wetted parts are all in SS316+Titanium

Process Connection: with adaptor 1/2" or 1/4" NPT, BSP, PT Female; and M20 x P1.5 thread available

Range Selection Table

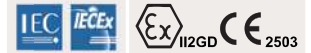
Code	Adjustable Range	Dead Band	Maximum Pressure Proof
10R	400~1900 mmH ₂ O	30~80 mmH ₂ O	750 psi
20R	1000~10000 mmH ₂ O	70~200 mmH ₂ O	750 psi



Approvals:



TD0400TJ
工電(2012)第00320號
(ITRI)2017第07-00075號

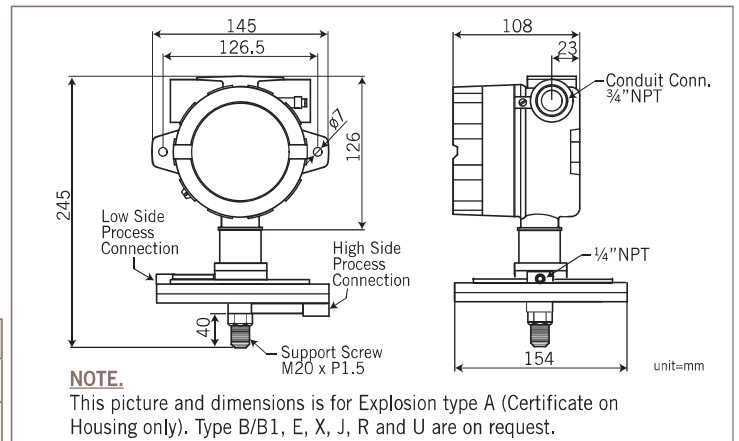


JAPAN EX-Certificate
CML 17JPN1016X
CML 17JPN3024

Patent No.

M450724
China: 2976852

Dimension



Ordering Information

DPS2200X	Code	Range			
	10R	400~1900 mmH ₂ O	20R	1000~10000 mmH ₂ O	
		Code	Wetted Parts Material		
		A	SS316+Titanium		
		Code	Process Connection (with adaptor)– Female		
			(1) 1/2" NPT (2) 1/4" NPT (3) 1/2" BSP (4) 1/4" BSP (5) 1/2" PT (6) 1/4" PT (7) M20 x P1.5		
		Code	Conduit Connection		
			(E) 3/4" NPT Female, standard (F) 1/2" NPT Female (G) M20 x P1.5 Female		
		Code	Switch Form		
		1	Micro Switch, 1 SPDT	2	Micro Switch, 2 SPDT (one setting point)
		3a	Gold Contact, 1 SPDT	3b	Gold Contact, 2 SPDT (one setting point)
		4a	Hermetically Switch, 1 SPDT	4b	Hermetically Switch, 2 SPDT (one setting point)
		Code	Explosion Proof Type / Housing Material		
		A	Certificate on Housing Only (FM Approval) / Aluminum alloy: Class I, Groups A, B, C & D; Class II, Groups E, F & G; Class III; NEMA 4X		
		B / B1	Taiwan Explosion Proof Certification / (B) Aluminum alloy (B1) SS316: Ex d IIB + H2 T6 Gb		
		E	International IECEx Certification / Aluminum alloy: Ex db IIB + H2 T6 Gb; Ex tb IIIC T85°C Db		
		X	Europe Union ATEX Certification / Aluminum alloy: II 2 G D Ex db IIB + H2 T6 Gb; II 2 G D Ex tb IIIC T85°C Db		
		J	Japan Explosion Proof Certification / Aluminum alloy: Ex d IIB + H2 T6 Gb; Ex t IIIC T85°C Db		
		R	Russia EACEx Certification / Aluminum alloy: 1Ex d IIB + H2 T6 Gb X; Ex tb IIIC T85°C Db		
		U	UL Certification / Aluminum alloy: Class I, Groups A, B, C & D; Class II, Groups E, F & G		

DPS2200X

Complete Ordering Code