

DIFFERENTIAL PRESSURE SWITCH EXPLOSION PROOF TYPE

DPS2300X

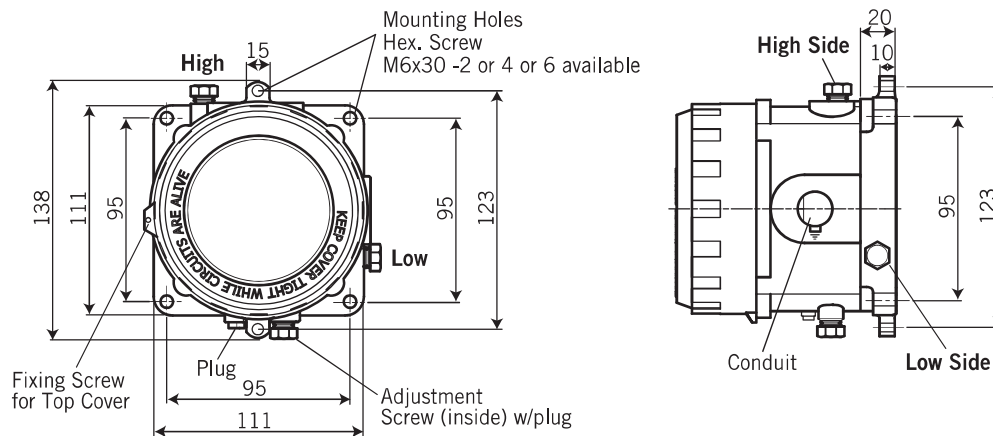
Explosion Proof Type
Protection: IP68
Adjustable Ranges: 0.1~11" W.C.
Temperature: -40 to 60°C

The New-Flow DPS2300X, an explosion proof differential pressure switch, is designed to be used in instrument air and non-corrosive, inert gases. DPS2300X has high set point repeatability and narrow dead band features. A variety of range selections are available upon request. Easily adjusted to the set point.

Technical Data

Switch Data: SPDT 15A @125, 250, 480VAC, 60Hz. Resistive
1/8 HP @125VAC; 1/4 HP @250VAC, 60Hz
Housing Material: Die cast aluminum alloy with positive electrode
Pressure Element: Silica gel diaphragm
Process Materials: Wetted parts are all in SS316
Set Point Adjustment: Screw type on top of housing c/w plug
Mounting Type: Diaphragm in vertical position
Conduit Connection: 1/2" and 3/4"NPT Female available
Process Connection: High & Low side: Female thread 1/4"NPT, 1/4"PT or G1/4"
Pressure Limit: Surge 0.7 Bar
Temperature Limit: -40~140°F (-40~60°C)
Weight: approx. 1.9 Kg

Dimensions-mm



Approvals:



Switches with UL & CSA Recognized and File No. E12252.



TD0400TJ
(ITRI)2018 第07-00170X號

Range Selection Table

Inch of Water ("W.C.):

Code	Adjustable Range	Dead Band	Continuous/Surge
01W	0.1~0.25" W.C	0.04 / 0.07" W.C	0.12 Bar / 0.7 Bar
02W	0.15~1.8" W.C	0.1 / 0.2" W.C	0.12 Bar / 0.7 Bar
03W	0.4~2.5" W.C	0.15 / 0.3" W.C	0.12 Bar / 0.7 Bar
04W	0.8~4.0" W.C	0.2 / 0.4" W.C	0.12 Bar / 0.7 Bar
05W	3.0~11.0" W.C	0.4 / 0.5" W.C	0.12 Bar / 0.7 Bar

Ordering Information

DPS2300X	Code	Range								
	01W	0.1~0.25" W.C.	02W	0.15~1.8" W.C.	03W	0.4~2.5" W.C.	04W	0.8~4.0" W.C.	05W	3.0~11.0" W.C.
		Code	Wetted Parts Material							
		A	SS316							
		Code	Process Connection (High & Low Side)							
			(1) 1/4"NPT Female (2) 1/4"PT Female (3) G1/4" Female (O) Option							
		Code	Conduit Connection							
		E	(E) 1/2"NPT Female, standard (F) 3/4"NPT Female (O) Option							
		Code	Switch Form							
		1	One SPDT							
		Code	Explosion Proof							
		B	Taiwan Explosion Proof Certification Ex d IIB + H2 T6 Gb; Ex tb IIIC T85°C Db							
DPS2300X										Complete Ordering Code