

# METAL TUBE FLOW METER DF SERIES

**DF-1 Indicating Only**

**DF-2 With Alarm Switch**

## Technical Data

**Service:** Air, Water

**Material:** Case— SS316 for DF-1; Aluminum for DF-2;  
Body— SS316; Orifice Piston— SS316, PVDF

**Dial Size:** DF-1 Indicating only:  $\phi 4''$ ,  $\phi 6''$  available  
DF-2 With alarm switch:  $\phi 4''$  only

**Indication:** Via Magnetic Coupling (no seals)

**Scales:** LPM, LPH in water; NLPM, Nm<sup>3</sup>/H in air

**Flow Rate:** Water— 0.25 LPM up to 20 LPM; 15 LPH up to 1200 LPH  
Air— 6 NLPM up to 500 NLPM; 0.35 Nm<sup>3</sup>/Hr up to 30 Nm<sup>3</sup>/Hr

**Max. Working Temperature:** 80°C

**Max. Working Pressure:** Standard 200 kg/cm<sup>2</sup>; other options  
upon request

**Adjustable Micro Switch**

**1 adjustable alarm contact**

**Load:** 5A/125VAC, 5A/250VAC, 2A/30VDC

**Temperature:** -25°C ~ +100°C (AMB)

**Hysteresis:**  $\pm 10\%$  F.S (Dead Band)

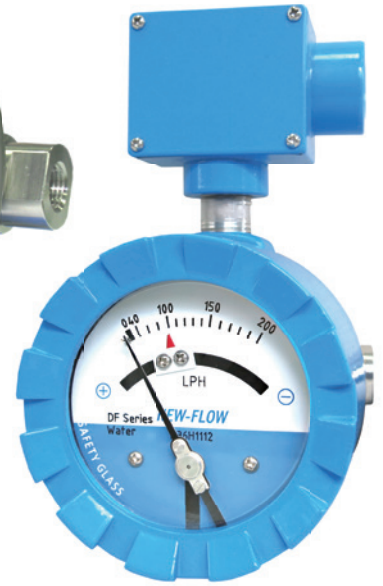
**Connection Size:**  $\frac{1}{4}''$ ,  $\frac{1}{2}''$ NPT or BSP

**Protection Class:** IP66

**Accuracy:**  $\pm 4\%$  F.S ( $\pm 3\%$  F.S option)



DF-1



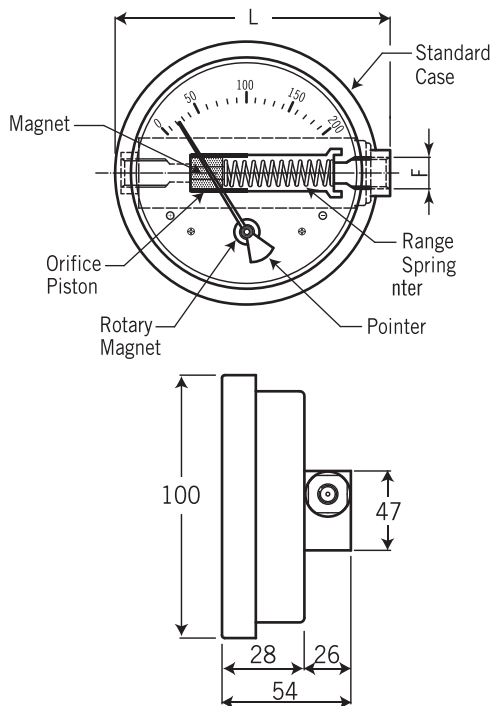
DF-2

## Range Selection Table

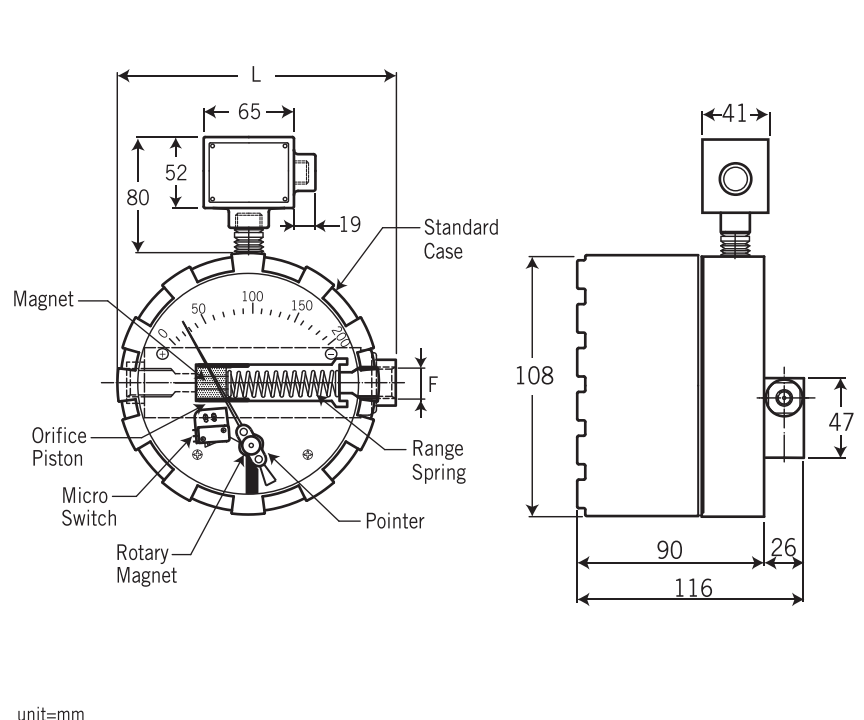
Water 20°C				Air 20°C 1.013 bar				BSP/ NPT	Thread Type L (mm)
Code	LPM	Code	LPH	Code	NLPM	Code	Nm <sup>3</sup> /Hr		
001	0.25~1.3	007	15~80	013	6~30	019	0.35~1.7	$\frac{1}{4}''$	$\approx 108$
002	0.7~3	008	40~200	014	15~80	020	1~4.7	$\frac{1}{2}''$	$\approx 130$
003	0.8~4	009	50~250	015	20~110	021	1.3~6.6		
004	1.8~9	010	110~550	016	40~220	023	2.6~13		
005	2.6~13	011	160~800	017	60~320	024	4~20		
006	4~20	012	250~1200	018	100~500	025	6~30		

## Dimensions

### DF-1



### DF-2



## Ordering Information

DF	Code	Type					
↓	1	Indicating only (case material SS316)					
	2	With alarm switch (case material Aluminum)					
		<b>Code</b> <b>Flow Range</b>					
	S	Standard Range (Please refer to <i>Range Selection Table</i> .)					
		Please directly fill out the flow range in the order code.					
		<b>Code</b> <b>Wetted Parts Material</b>					
		(A) SS316					
		<b>Code</b> <b>Process Connection (Female)</b>					
		(1) ¼" NPT (2) ½" NPT (3) ¼" BSP (4) ½" BSP					
		<b>Code</b> <b>Conduit Connection</b>					
	(A) ¾" NPT Female (B) ½" NPT Female, Standard (O) Without						
	<b>Code</b> <b>Switch Form</b>						
	1 One SPDT (only for DF-2) 2 Without						
DF							Complete Ordering Code