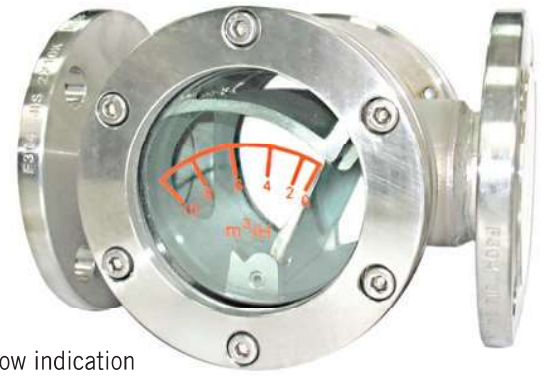


## FLOW SIGHT GLASS GAUGE FS SERIES

The flow meter sight glass gauge was designed with spring paddle to indicating flow rate for easy observation of flowing fluid from Left to Right or Right to Left direction.



**Approvals:**



### Technical Data

**Service:** – Water treatment system – Industrial liquid flow system – Double window indication

**Material:** Body: SS316; Paddle: SS316; Spring: SS316; Gage: Tempered glass; Gasket: Teflon or Gore-Tex; Flange: SS316 and SS304 available

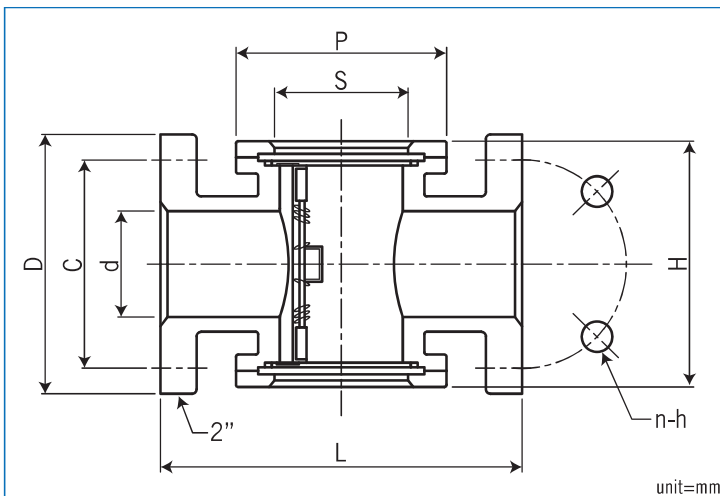
**Max. Working Temperature:** 80°C

**Max. Working Pressure:** 10 kg/cm<sup>2</sup> at 25°C water

**Connection Size:** 2"

**Connection Rating:** JIS 10K, ANSI 150#, PN10 and PN16 available

### Dimensions



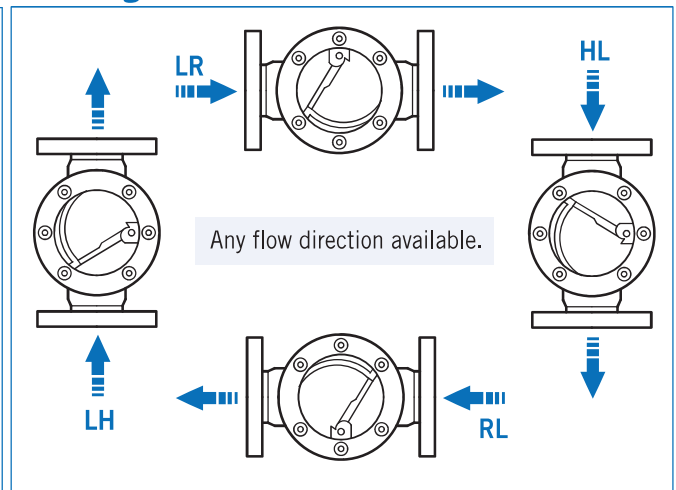
| Size | Range (m <sup>3</sup> /h) | Dimensions |     |     |     |     |       |     |     |
|------|---------------------------|------------|-----|-----|-----|-----|-------|-----|-----|
|      |                           | d          | C   | D   | H   | S   | P     | L   | n-h |
| 2"   | 2~10                      | 48         | 120 | 155 | 170 | 102 | 149.5 | 220 | 19φ |
|      | 2~18                      | 48         | 120 | 155 | 170 | 102 | 149.5 | 220 | 19φ |

unit=mm

**NOTE**

1. Flange rating: JIS 10K, ANSI 150#, PN10 and PN16 are available.
2. The Dimensions of C, D will be changed by flange rating.

### Mounting Position



For a fast quote, fill out the ordering information details below and email them to [mail@sightflow.com.au](mailto:mail@sightflow.com.au) or call us on 1800 539220

### Ordering Information

|                        |   |   |                          |
|------------------------|---|---|--------------------------|
| FS                     | Code  | Body Material                               |                          |
|                        | 1   | SS316 (standard)                            |                          |
|                        | Code  | Connection Size                             |                          |
|                        | 1   | 2"  |                          |
|                        | Code  | Flange Rating                               |                          |
|                        |   | (1) JIS 10K (2) ANSI 150# (3) PN10 (4) PN16 |                          |
|                        | Code  | Flange Material                             |                          |
|                        | 1   | SS316                                       | 2 SS304                  |
|                        | Code  | Flow Range                                  |                          |
|                        | A   | 2~10 M <sup>3</sup> /H                      | B 2~18 M <sup>3</sup> /H |
|                        | Code  | Flow Direction                              |                          |
|                        |   | LH  | HL RL LR                 |
| Code                   | CE 1128 Mark Request  |   |                          |
|                        | (1) With label sticker (2) With S.S nameplate (3) Stamp (4) Without |   |                          |
| Complete Ordering Code |   |   |                          |