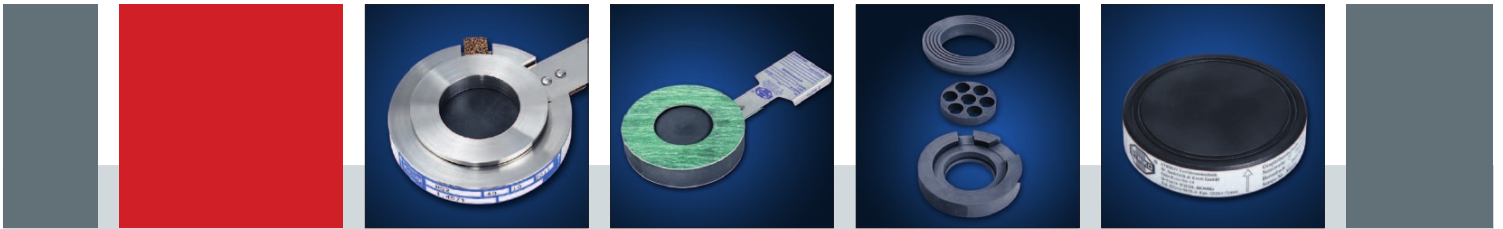


# Graphite Bursting Disks

G2 and G3 Series



- Product Overview
- Accessories



Verfahrenstechnik

# Product Overview

## Flat Graphite Bursting Disks **Series G2**



### Description

Series G2 safety Bursting Disks are flat Graphite Bursting Disks for low to medium burst pressures. Graphite Bursting Disks feature excellent corrosion resistance, thus are suitable for a variety of applications.

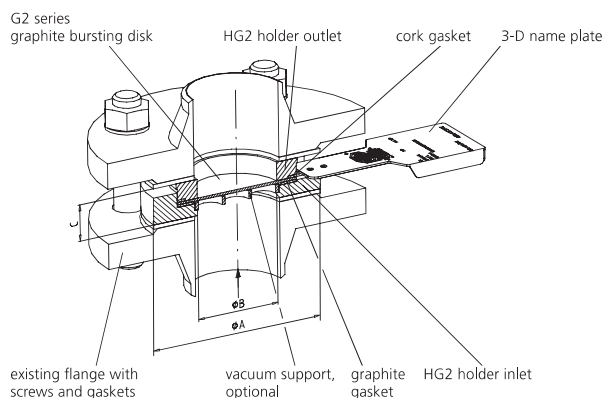
Series G2 Bursting Disks are used with HG2 holders. If necessary, they can also be combined with vacuum supports so the Bursting Disks can tolerate the full vacuum in vacuum direction even if in pressure direction they already open at pressures below 1.6 bar (g).

### Technical Data and Configuration

Nominal Widths: DN 25 up to DN 400  
 Burst Pressures: 0,07 - 28,0 bar (g)  
 Working Ratio: 80 %  
 Burst Tolerance: min. +/- 10 %  
 Temperature Range: -50 °C up to +180 °C  
 Bursting Disk Holder: HG2  
 Vacuum Support: optionally combinable  
 Burst Indicators: optionally combinable

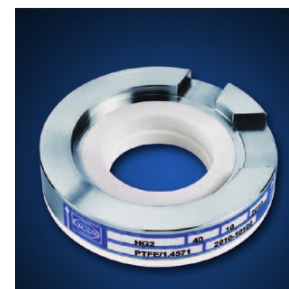


DN	Burst pressure bar	ØA			ØB	C	C	Free cross section with vacuum support %
		PN 6	PN 10/16	PN 25/40				
25	0,7-28	63	70	70	25,4	23-28	15-20	50
32	0,5-21	76	82	82	40,0	25-30	17-22	51
40	0,5-21	85	92	92	40,0	25-30	17-22	51
50	0,3-14	95	107	107	50,8	27-32	19-24	55
65	0,2-14	115	127	127	63,5	32-37	24-29	53
80	0,2-10	132	142	142	80,0	35-42	25-32	63
100	0,1-7	152	162	168	101,6	41-49	29-37	60
125	0,1-6	182	192	194	127,7	-	31-40	60
150	0,07-5	207	218	225	152,4	55-64	33-42	60
200	0,07-3	262	273	285	203,2	75-84	40-49	60
250	0,07-2	318	328	342	254,0	96-100	45-55	58
300	0,07-2	373	380	402	304,8	114-125	53-63	56
350	0,07-2	423	438	458	355,6	-	56-68	60
400	0,07-1	473	492	515	406,4	-	60-72	58



### HG2 Holder

Series G2 Graphite Bursting Disk must be placed inside HG2 Holder to ensure proper use. The Holder is available in graphite, stainless steel 1.4571 or special materials such as Hastelloy, and PTFE-lined – depending on the application requirements.





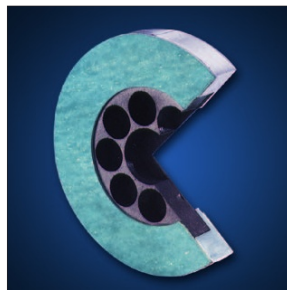
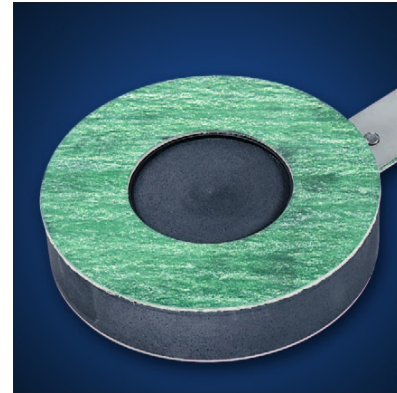
# Monobloc Graphite Bursting Disks Series G3

## Description

Series G3 safety Bursting Disks are Monobloc Bursting Disks. They are mounted directly between flanges, no special holder is required. The advantages of graphite Bursting Disks are their high corrosion resistance and the good cost/performance ratio in addition to their easy installation.

## Options G3M / G3MV / G3A / G3AV

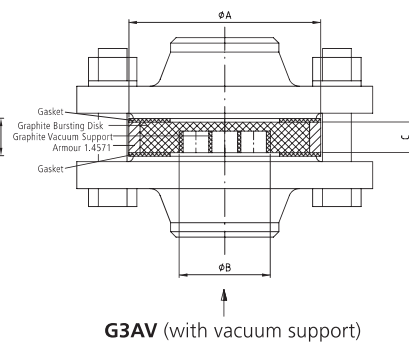
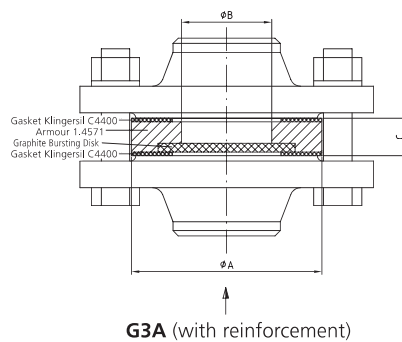
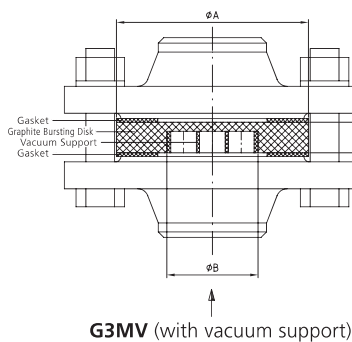
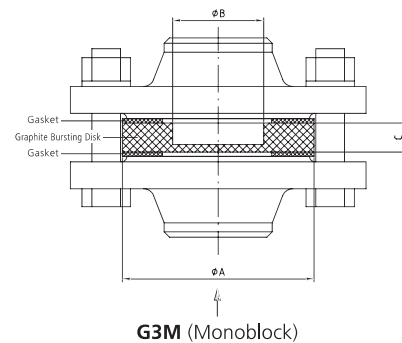
Monobloc Bursting Disks are divided into two groups. The classic Bursting Disks **G3M** and **G3MV** (V...with Vacuum Support) made entirely from graphite, and the steel/stainless steel reinforced Bursting Disks **G3A** and **G3AV** (A...Armoured, V...Vacuum Support). These are also installed directly between the flanges. The reinforcement ring absorbs the increased axial forces during installation which may occur due to flange tilting or misalignment.



## Technical Data and Configuration

Nominal Widths: DN 25 up to DN 400  
 Burst Pressures: 0,07 - 28,0 bar (g)  
 Working Ratio: 80 %  
 Burst Tolerance: min. +/- 10 %  
 Temperature Range: -50 °C up to +180 °C  
 Bursting Disk Holder: not required  
 Vacuum Support: optionally combinable  
 Burst Indicators: optionally combinable

DN	Burst Pressure bar	ØA				ØB	C (without gaskets)	Free cross-section with vacuum support %
		PN 6	PN 10	PN 16	PN 25/40			
25	0,7-28	63	70	70	70	25,4	22	50
40	0,5-21	85	92	92	92	38,1	22	51
50	0,3-14	95	107	107	107	50,8	22	55
65	0,2-14	115	127	127	127	63,5	22	53
80	0,2-10	132	142	142	142	76,2	22	63
100	0,10-7	152	162	162	168	101,6	22	60
150	0,07-5	207	218	318	225	152,4	22	60
200	0,07-3	262	273	273	-	203,2	29	60
250	0,07-2	318	328	-	-	254,0	38	58
300	0,07-2	373	378	-	-	304,8	51	56
350	0,07-2	423	438	-	-	355,6	57	60
400	0,07-1	473	490	-	-	406,4	64	58

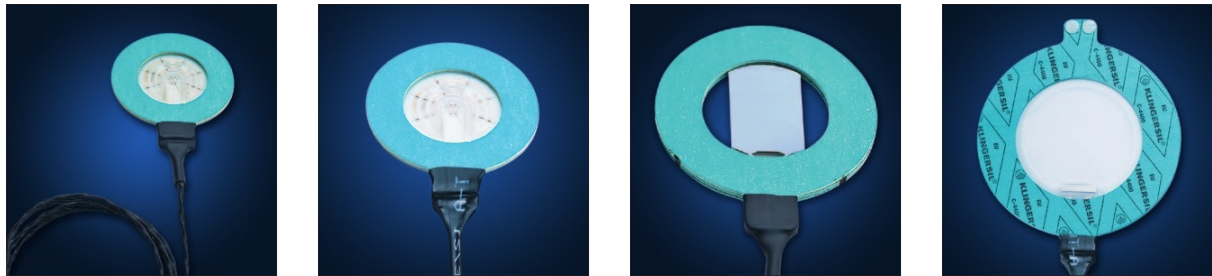


## Accessories

### Burst Indicators

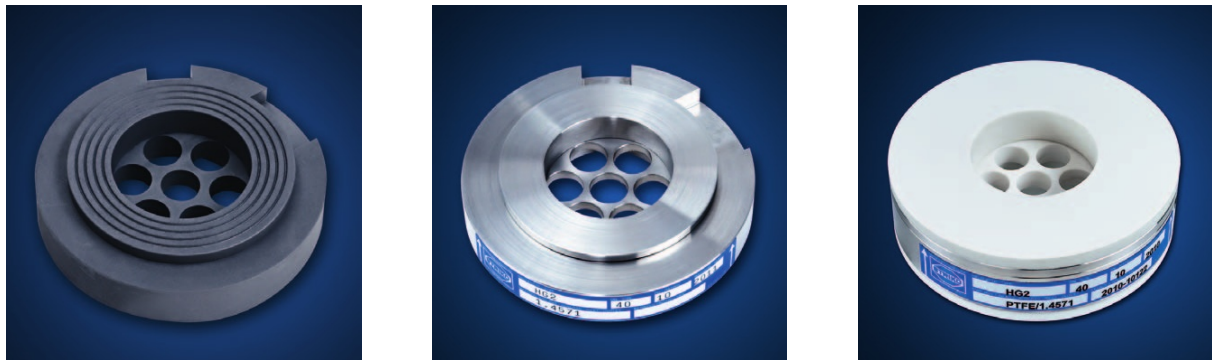
All STRIKO Burst Indicators are compatible with graphite or metal Bursting Disks, including Bursting Disks from other manufacturers, as well as Safety Valves. For every application the right type – ask us, we're here to help!

Model	Description
SVT 02	The standard Burst Indicator – for monitoring Bursting Disks (detects opening of Bursting Disks and Safety Valves)
SVT 05	The Leakage Sensor – detects smallest volume flows (leaking Safety Valves or Bursting Disks damaged by pitting corrosion / hairline fractures)
SVT AM	The full metal alarm device– for high temperatures and aggressive mediums
SVT AM-L	The low pressure alarm device – for minimal differential pressures starting from 10mbar



### HG2 Holder

The HG2 Holder is required for series G2 flat graphite Bursting Disks. It's available in various materials, e.g. graphite, stainless steel 1.4571, PTFE-lined or in the special material Hastelloy C276, depending on customer requests and the application.



### Applications and Advantages:

Graphite Bursting Disks are especially recommended for:

1. Applications with aggressive mediums as graphite is very corrosion-resistant
2. as an alternative to more costly Bursting Disks made of special metal materials such as Hastelloy, silver or tantalum.
3. for systems where over- or under-pressures occur frequently based on the process, since this type of safety device is effective and inexpensive compared to a Safety Valve, yet offers very high tightness to the bursting point.



Verfahrenstechnik



Telephone: 1800 539220  
E-Mail: [mail@sightflow.com.au](mailto:mail@sightflow.com.au)  
Internet: [www.sightflow.com.au](http://www.sightflow.com.au)