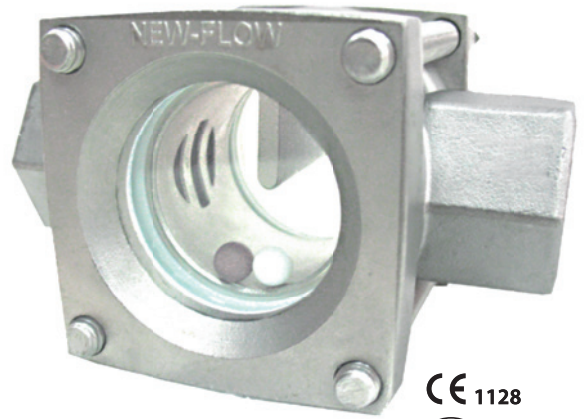


FLOW SIGHT GLASS GAUGE

TB SERIES - C *Indicating With Color Ball*



Technical Data

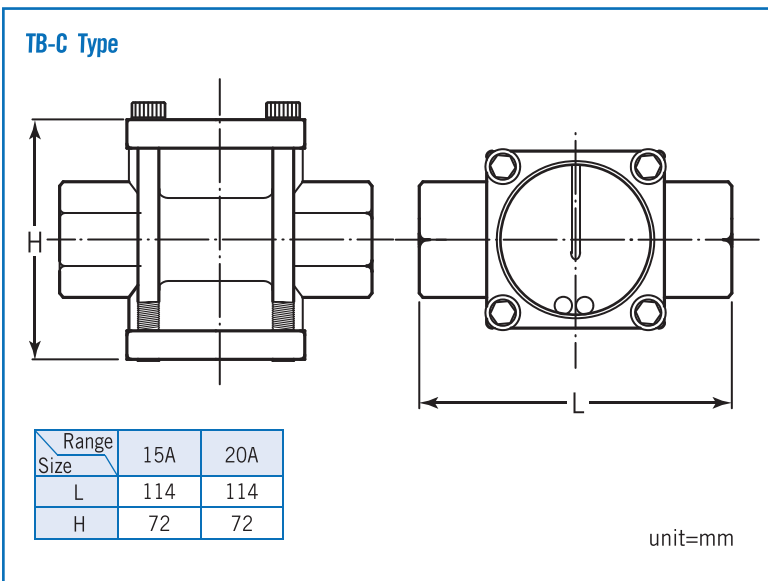
Service: – Compatible gas and liquid
 – Water treatment system
 – Industrial flow system
 – Double window indication

Material: Body-SS316; Color Ball: Teflon
 Gage-Tempered glass; Gasket-Teflon

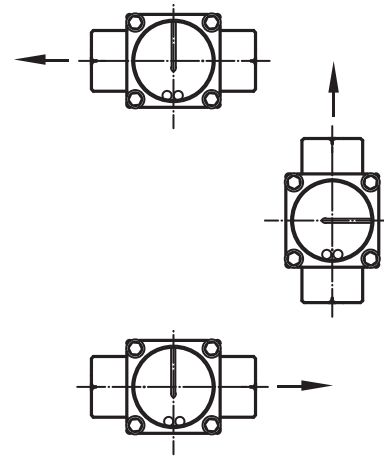
Max working temperature: 150°C (Teflon)

Max working pressure: 15 kg/cm² at 25°C water

Dimension



Mounting Position



Ordering Information

TB-C	Code	Model	Code	CE 1128 mark Request	
↓	S	Wetted parts are SS316	1	with label sticker	
	↓	Code	Size	2	with S.S nameplate
			(1) 15A (2) 20A	3	stamp
	↓	Code	Connection Thread	4	without
			(1) NPT (2) PF (3) Option		
	Code	Gasket Material			
		(1) Teflon			
↓	↓	↓	↓		
TB-C			+	Complete Ordering Code	