

# FLOW SIGHT GLASS GAUGE

**NAW-1** – WITH TEFLON BALL

**NAW-2** – WITH ROTOR

## Technical Data

**Service:** for Gases and Liquid

**Wetted Parts Material:**

Body: SS316, Duplex S.S- UNS J92205, PP or PVDF available

Ball: Teflon

Window: Tempered glass, and PSU on request (PSU only for NAW-2)

Gasket: Viton or EPDM

Rotor: PP+10% glass fiber (Color/Orange; Temp.: -20~80°C)

PVDF (Color/White; Temp.: -20~90°C)

PPS (Color/Yellow; Temp.: -20~200°C)

Rotor Guide: SS316, Duplex S.S- UNS J92205, or Ceramic available

**Temperature Limit:**

- SS316 Body with Viton Gasket : (-15°C) ~ +200°C
- SS316 Body with EPDM Gasket : (-20°C) ~ +120°C
- PP Body with Viton or EPDM Gasket : 0 ~ 60°C
- PVDF Body with Viton Gasket : (-15°C) ~ +90°C
- PVDF Body with EPDM Gasket : (-20°C) ~ +90°C

**Pressure Limit** (@25°C water):

- Metal: 16 bar • Plastic (PP): 8 bar • Plastic (PVDF): 10 bar
- PSU window: 10 bar

**Connection:** Threaded type

**Size:** Thread ¼", ⅜", ½", ¾", 1", 1¼", 1½" NPT or BSP female available

**Flow Direction:** NAW-1: Left to Right or Right to Left available  
NAW-2: Any direction available



**Approvals:**

CE 2810

## Flow Range Table

**NAW-1** : With Teflon Ball

Size	¼"	⅜"	½"	¾"	1"	1¼"	1½"
Min. Flow (LPH) Water	24	35	290	880	750	900	950
Min. Flow (NLPM) Air	6.9	11.3	111.8	263.9	222.2	500	555.6
ΔP (2m/sec) BAR	0.15	0.15	0.19	0.18	0.45	0.2	0.25

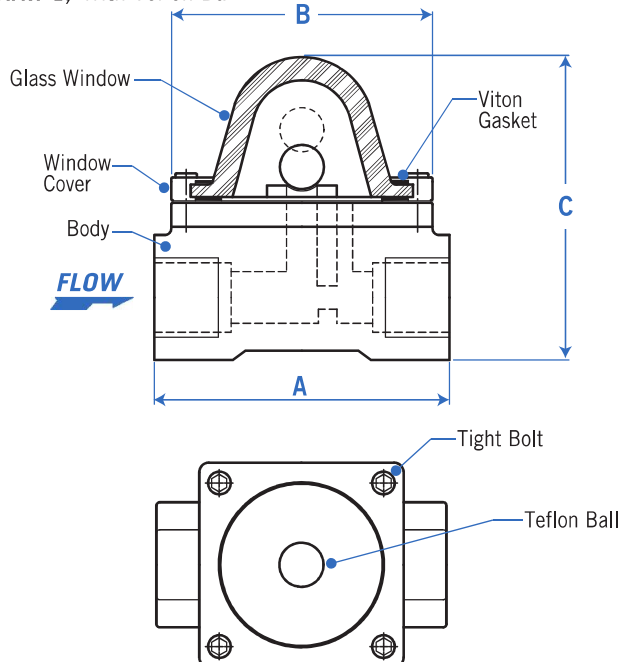
**NAW-2** : With Rotor

Size	¼"	⅜"	½"	¾"	1"
Min. Flow (LPH) Water	192	194	203	250	400
Min. Flow (NLPM) Air	23.6	19.7	27.8	120.8	138.9
ΔP (2m/sec) BAR	0.15	0.18	0.21	0.2	0.5

NOTE: The Flow Range Table is based on Water.

## Dimensions

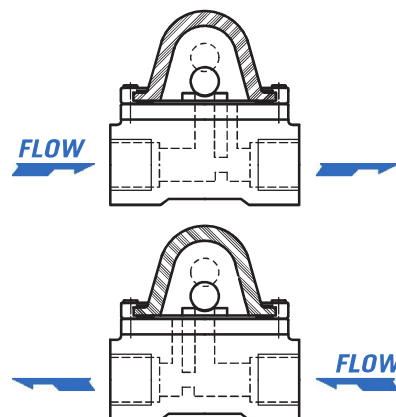
(A) **NAW-1**, With Teflon Ball



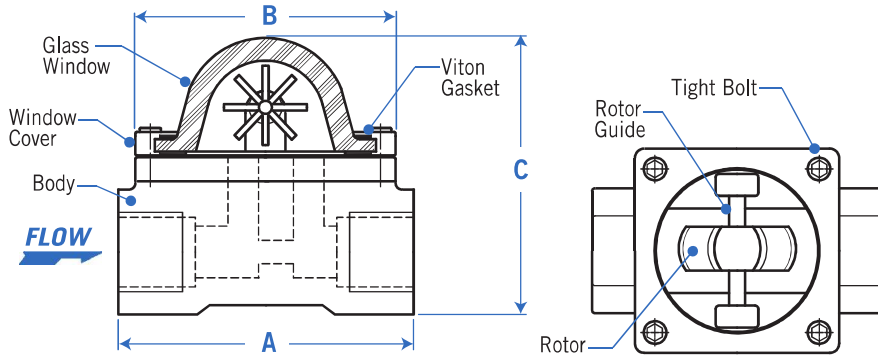
## Dimensions Data-mm

Size	¼"	⅜"	½"	¾"	1"	1¼"	1½"
A	76	76	76	89	89	117	117
B	63	63	63	63	63	75	75
C	79	79	79	95	95	125	125

**Flow Direction** Horizontal direction only.



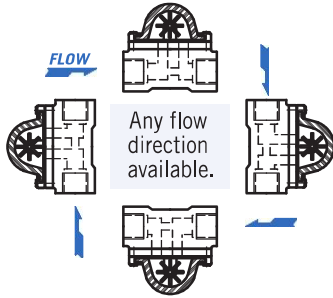
(B) NAW-2, With Rotor



Dimensions Data-mm

Size	1/4"	3/8"	1/2"	3/4"	1"
A	76	76	76	89	89
B	63	63	63	63	63
C	65	65	65	83	83

Flow Direction



Optional for Rotors

<b>POM</b> Color: Orange Temp. Limit: 100°C	<b>PP+10% Glass Fiber</b> Color: Yellow Temp. Limit: 60°C	<b>PPS+40% Glass Fiber</b> Color: Dark Brown Temp. Limit: 200°C	<b>PVDF</b> Color: Red or White Temp. Limit: 100°C

**NOTE.** The temperature limit above-mentioned is only for the reference to the rotors. Please also considering the max. temperature of body in the operating.

Ordering Information

NAW-1 : With Teflon Ball

NAW	Code	Model
↓	1	Teflon Ball Type
		<b>Code</b> Material of Body / Ball
		(S) SS316 / Teflon Ball (DS) Duplex S,S - UNS J92205 / Teflon Ball (P) PP / Teflon Ball (only for thread 1/4" to 1") (D) PVDF / Teflon Ball (only for thread 1/4" to 1")
		<b>Code</b> Gasket Material
		V Viton E EPDM O Option
		<b>Code</b> Connection Size (Female)
		(1) 1/4" (2) 3/8" (3) 1/2" (4) 3/4" (5) 1" (6) 1 1/4" (7) 1 1/2"
	<b>Code</b> Thread Type	
	(1) NPT (2) BSP (3) Option	
	<b>Code</b> CE Mark Request	
	3 With 4 Without	
NAW	1	Complete Ordering Code

NAW-2 : With Rotor

NAW	Code	Model
↓	2	Rotor Type
		<b>Code</b> Material of Body / Rotor / Rotor Guide
		SG (Y) SS316 / PP+10% Glass Fiber (Yellow) / SS316 (YDS) Duplex S,S-UNS J92205 / PP+10% Glass Fiber (Yellow) / Duplex S,S-UNS J92205
		SD (R) SS316 / PVDF (Red) / SS316 (RDS) Duplex S,S-UNS J92205 / PVDF (Red) / Duplex S,S-UNS J92205 (W) SS316 / PVDF (White) / SS316 (WDS) Duplex S,S-UNS J92205 / PVDF (White) / Duplex S,S-UNS J92205
		SP (O) SS316 / POM (Orange) / SS316 (ODS) Duplex S,S-UNS J92205 / POM (Orange) / Duplex S,S-UNS J92205
		SF (B) SS316 / PPS+40% glass fiber (Dark Brown) / SS316 (BDS) Duplex S,S-UNS J92205 / PPS+40% glass fiber (Dark Brown) / Duplex S,S-UNS J92205
		PG (Y) PP / PP+10% Glass Fiber (Yellow) / Ceramic
		PD (R) PP / PVDF (Red) / Ceramic (W) PP / PVDF (White) / Ceramic
		DD (R) PVDF / PVDF (Red) / Ceramic (W) PVDF / PVDF (White) / Ceramic
		<b>Code</b> Gasket Material
		V Viton E EPDM O Option
		<b>Code</b> Connection Size (Female)
		(1) 1/4" (2) 3/8" (3) 1/2" (4) 3/4" (5) 1"
		<b>Code</b> Thread Type
	(1) NPT (2) BSP (3) Option	
	<b>Code</b> CE Mark Request	
	3 Stamp 4 Without	
	<b>Code</b> Window Material	
	G Tempered glass P PSU	
NAW	2	Complete Ordering Code