

FLOW SIGHT GLASS GAUGE

NAW-1 – WITH TEFLON BALL **NAW-2** – WITH ROTOR

Technical Data

Service: for Gases and Liquid

Wetted Parts Material: Body– SS316, PP or PVDF available;
Ball– Teflon; Window– Tempered glass; Gasket– Viton or EPDM;
Rotor– PP+10% glass fiber; Rotor Guide– SS316

Temperature Limit:

- NAW-1:** (1) SS316 body with Viton gasket: -15°C~+200°C
(2) SS316 body with EPDM gasket: -20°C~+120°C
(3) PP body with Viton or EPDM gasket: 0~60°C
(4) PVDF body with Viton gasket: -15°C~+100°C
(5) PVDF body with EPDM gasket: -20°C~+100°C

NAW-2: (1) SS316 body with Viton or EPDM gasket: -15°C~+120°C

Pressure Limit: Metal: 16 bar / Plastic (PP): 8 bar, (PVDF) 10 bar

Connection: Threaded type

Size: ¼", ⅜", ½", ¾", 1", 1¼", 1½" NPT or BSP female available

Flow Direction: NAW-1: Left to Right or Right to Left available
NAW-2: Any direction available



NAW-1 (Plastic)



NAW-1



NAW-2

Flow Range Table

NAW-1 : With Teflon Ball

Size	¼"	⅜"	½"	¾"	1"	1¼"	1½"
Min. Flow (L/Min)	0.12	0.12	0.15	2.5	2.9	11.5	16.5
Max. Flow (L/Min)	1.12	1.12	1.15	5.5	6.0	17.0	22.0
ΔP (2m/sec) BAR	0.15	0.15	0.19	0.18	0.45	0.20	0.25

NAW-2 : With Rotor

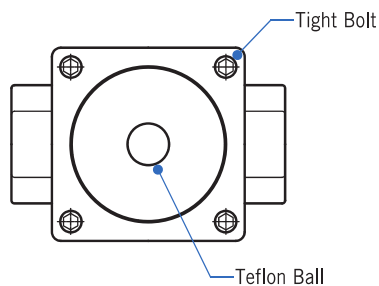
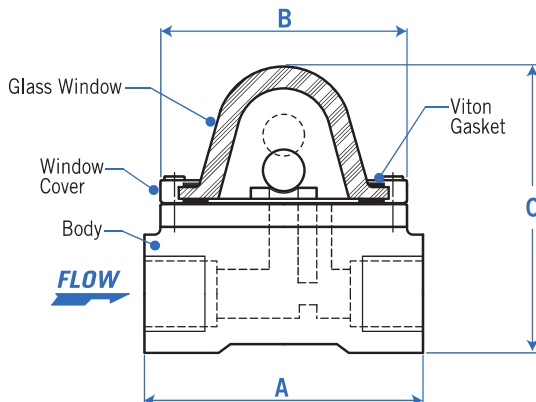
Size	¼"	⅜"	½"	¾"	1"
Min. Flow (L/Min)	0.8	0.9	1.1	1.4	2.0
Max. Flow (L/Min)	31	41	56	95	145
ΔP (2m/sec) BAR	0.15	0.18	0.21	0.20	0.50

NOTE.

The Flow Range Table is based on Water.

Dimensions

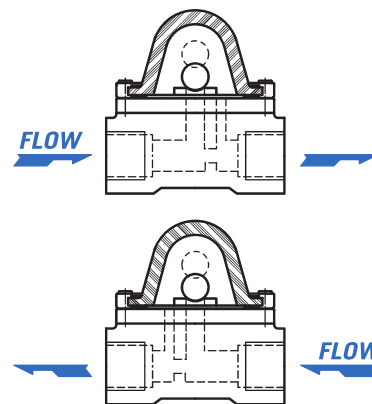
(A) **NAW-1**, With Teflon Ball



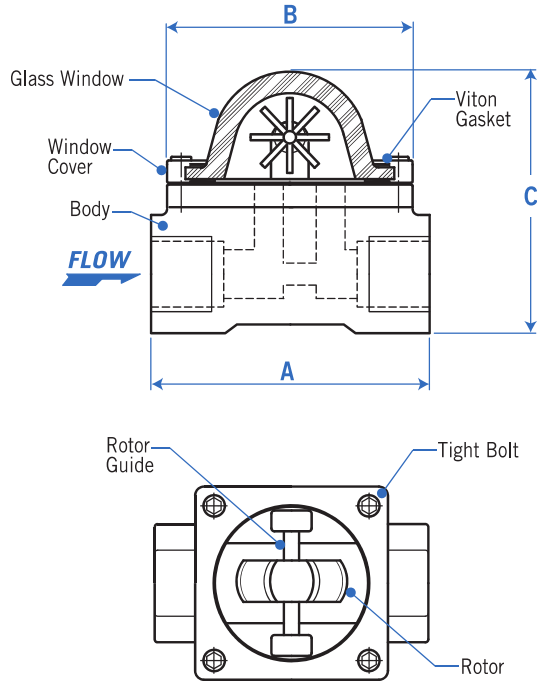
Dimensions Data-mm

Size	¼"	⅜"	½"	¾"	1"	1¼"	1½"
A	76	76	76	89	89	117	117
B	63	63	63	63	63	75	75
C	79	79	79	95	95	125	125

Flow Direction Horizontal direction only.



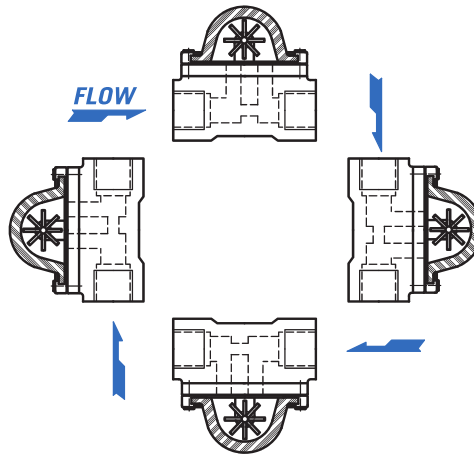
(B) NAW-2, With Rotor



Dimensions Data-mm

Size	1/4"	3/8"	1/2"	3/4"	1"
A	76	76	76	89	89
B	63	63	63	63	63
C	65	65	65	83	83

Flow Direction Any flow direction available.



Ordering Information

NAW	Code	Model
	1	Teflon Ball Type
	2	Rotor Type
		Code Body Material
		S SS316
		P PP (only for the model NAW-1, and thread 1/4" to 1" available)
		D PVDF (only for the model NAW-1, and thread 1/4" to 1" available)
		Code Gasket Material
		V Viton E EPDM O Option
		Code Connection Size (Female)
		(1) 1/4" (2) 3/8" (3) 1/2" (4) 3/4" (5) 1"
		(6) 1 1/4" (unavailable for NAW-2) (7) 1 1/2" (unavailable for NAW-2)
		Code Thread Type
		(1) NPT (2) BSP (3) Option
NAW		Complete Ordering Code



mail@sightflow.com.au
 Tel: 1800 539220
 Mob: 0400 938611