

MASS FLOW METERS

ULF SERIES – Without LCD Display

– Top Electric Connection Type

±1% Accuracy
Linear Output
Thermal Technology
For Using in Non Corrosive Gas
Power Supply Included

The NEW-FLOW Thermal Mass Flow Meters provide high performance. Thermal Technology offers advantages in accuracy, sensitivity and turn quality components and the latest technology are combined to provide reliable, compact meters and controllers. The ULF Series comes an without an LCD display, and all models come with linear 0-5 VDC and 4-20 mA output. The ULF Series measures the mass flow rate of gases in 23 ranges from 0-10 SCCM to 0-100 SLM as shown in the range table.

Technical Data

Wetted Material: Standard flowbody–SS316; Tapcon; option available.
 O-ring–Viton

Output Signal: 0-5 VDC Linear min. load 1000Ω or 4-20 mA Linear, loop resistance 500Ω

Input Power: 24 VDC standard; optional power supply 15 VDC 115 VAC, 220 VAC @500mA

Accuracy: ±1% FS (including linearity)

Turn Down Ratio: 100:1

Repeatability: ±0.15% FS or better

Electric Connection: 9 Pin Sub “D”

Process Connection: ¼”NPT female

Range: 0-10 SCCM to 0-100 SLM

Minimum Pressure: 40” H₂O

Max Pressure: SS316–500 psig; Tapcon–250 psig

Temperature Range: 0~50°C

Response Time: 1 Second

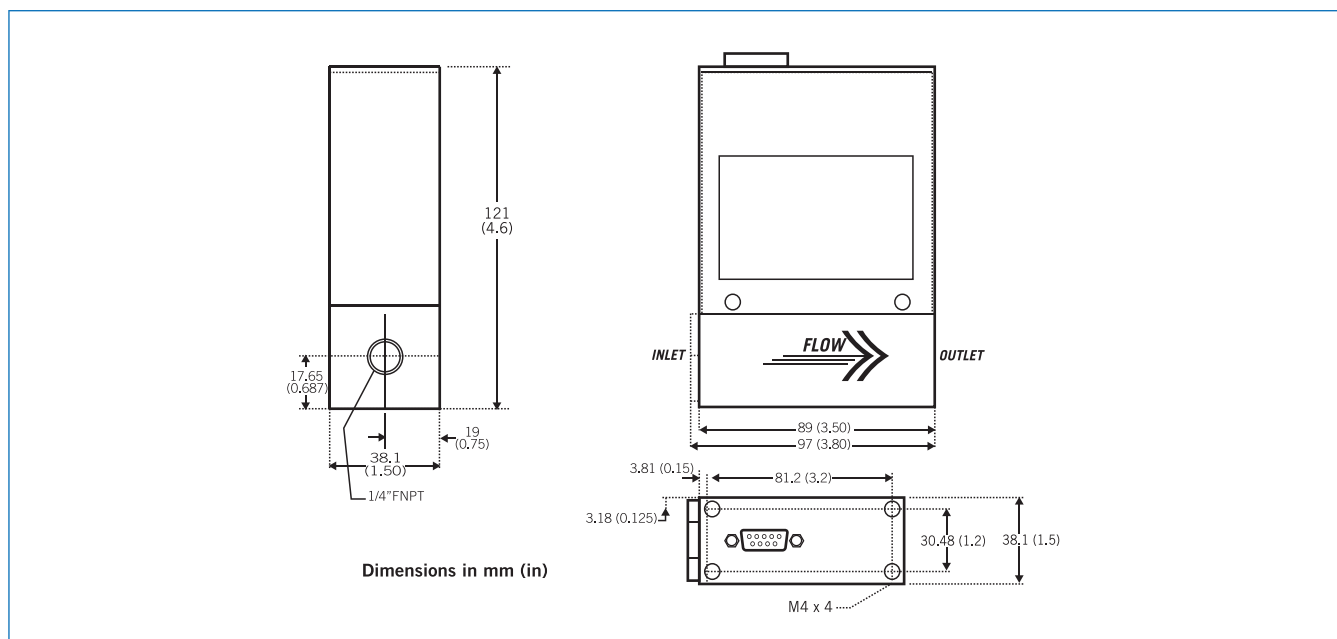
Temp. Coefficient: 0.05% Full Scale per 1°C or better

Pressure Coefficient: 0.01% Full Scale per PSIG or better

Weight: app. 1.08 kg with power supply



Dimensions

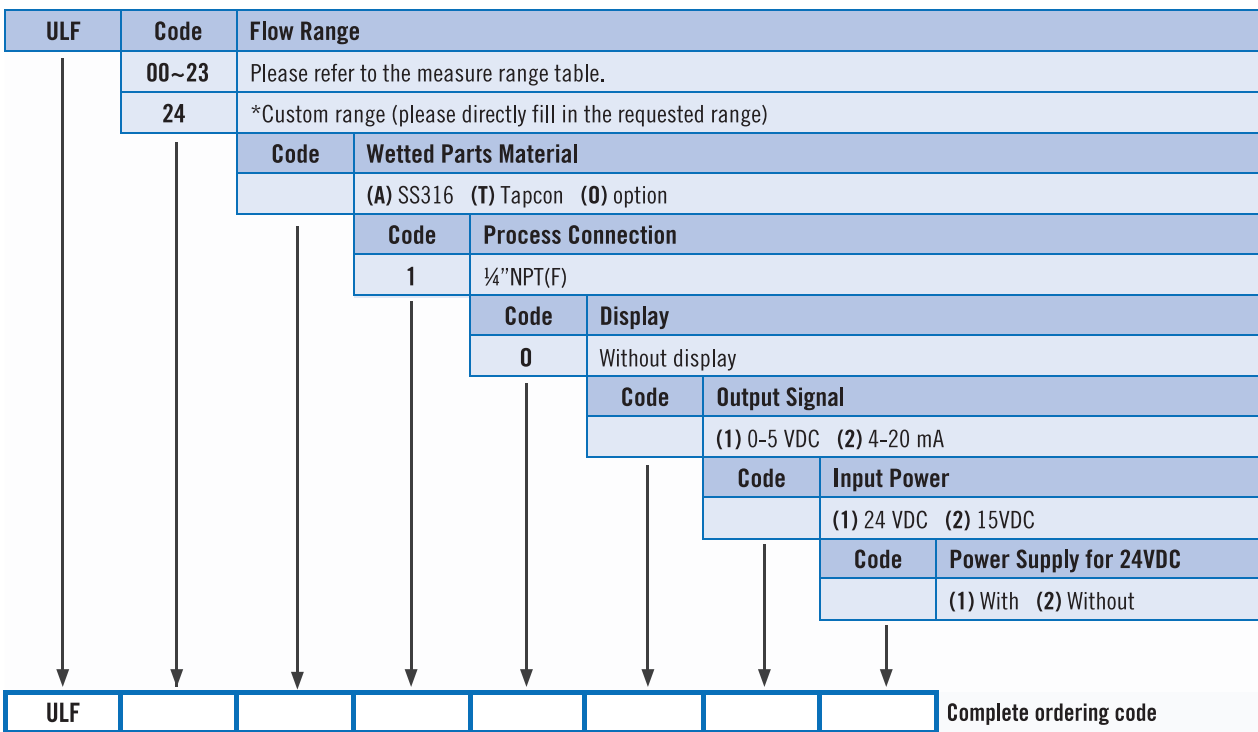


Range Table

Code	SCCM	Code	SLM	Code	SLM
00	0-10	06	0-1	14	0-35
01	0-20	07	0-2	15	0-40
02	0-50	08	0-5	16	0-45
03	0-100	09	0-10	17	0-50
04	0-200	10	0-15	18	0-55
05	0-500	11	0-20	19	0-60
		12	0-25	20	0-65
		13	0-30	21	0-70
				22	0-75
				23	0-100
				24	*Custom Flow Rate

Note. *Please notice that the max. flow rate is 100 SLM.

Ordering Information



mail@sightflow.com.au
 Tel: 1800 539220
 Mob: 0400 938611